

ELECTRIC FORKLIFT

SPECIFICATION VDI 2198

		BALKANCAR RECORD JSC											
Characteristics	1	Manufacturer											
	2	Type	ELECTRIC FORKLIFT				EP 35	EP 40	EP 50				
	3	Load capacity	Q	kg				3500	4000	5000			
	4	Load center	C	mm				500					
	5	Drive unit	Battery/diesel/LPG						Battery				
	6	Type of operation	Pedestrian/Rider seated/Stand-on						Rider seated				
	7	Tyres	L – pneumatic; SE – superelastic						L / L (SE / SE)				
	8	Wheels (x–driven)	Number, front/rear						2 x / 2				
Dimensions	9	Lift	h ₃	Lift height				mm		3000 ¹⁾			
	10		h ₂	Free lift				mm		95 ¹⁾	60 ¹⁾		
	11		h ₅	Extended free lift				mm		1 ¹⁾			
	12	Fork carriage	According to DIN 15137						3 A		4 A		
	13	Fork dimensions	l	According to DIN 15137 / length				mm		3A / 1150 ²⁾		4A / 1150 ²⁾	
	14	Tilt angle	α / β	Forward/backward				(°)		5°±1° / 12°±1°			
	15	Overall dimensions	L ₂	Length				mm		2900		3210	
	16		B	Width				mm		1200	1300		
	17		h ₁	Height, mast lowered				mm		2100		2320	
	18		h ₄	Height, mast extended				mm		3585		3815	
	19		h ₆	Height of overhead guard				mm		2220		2260	
	20		h ₇	Height of seat				mm		1150			
	21		Turning radius	Wa	Outer radius				mm		2590		2950
22	Load distance	X	Front axle center to fork face				mm		498		555		
23	Aisle width	Ast ₄	For pallets 800x1200				mm		4620		4750		
			For pallets 1000x1200				mm		4820		4950		
Performance	Speed	Travel with load/without load				km/h		13 / 14					
		Lifting with load/without load				m/s		0,23 / 0,28					
		Lowering with load/without load				m/s		0,4 / 0,5					
	27	Rated drawbar pull	With load S ₂ – 60 min				kN		2,9		3,3		
	28	Maximum drawbar pull	With load S ₂ – 5 min				kN		12		14		
	29	Climbing ability	With load/without load S ₂ – 30 min				%		4 / 5				
With load/without load S ₂ – 5 min				%		6 / 8							
30	Maximum climbing ability	With load/without load S ₂ – 1 min				%		17 / 19		12 / 15			
Weight	31	Weight	Including battery acc. to ISO 5053 – 87				kg		5700	6000	6980		
	32	Axle load	With load front/rear				kg		7800/1400	8520/1480	10860/1160		
			Without load front/rear				kg		2500/3300	2600/3400	3200/3580		
Chassis	34	Tyres	Number, front/rear						2 / 2				
			Size, front						8,15 – 15	(28x9-15) 250-15			
			Size, rear						6,50 - 10				
	37	Wheelbase	Y	mm				1830		2060			
	38	Track width	Front/rear				mm		991 / 961	1050 / 961			
	39	Ground clearance	m ₁	Lowest point with load				mm		120			140
			m ₂	Center of wheelbase with load				mm		170		218	
41	Service brake	Mech./hydr./pneum./combined						Hydraulic					
42	Parking brake	Hand/foot						Hand					
Drive	43	Battery	Type						Panzer				
			Voltage/rated capacity (after 5 hour of work)				V/Ah		80/400		80/440		
			Weight				kg		1220		1250		
	46	Electric motors	Drive motor performance at S ₂ – 60 min				kW		12				
			Lift motor performance at S ₄ – 25%				kW		16,8				
	48	Drive control	Type						Impulse regulator				
49	Transmission	Type						-		Mechanical			
50	Working pressure	For attachments				MPa		14					
51	Noise level	Average value at operator's ear				dB(A)		70...72					

1) For other lift heights refer to MAST table.

Size h₄ does not include a load backrest. When a backrest is fitted add + 680 mm.

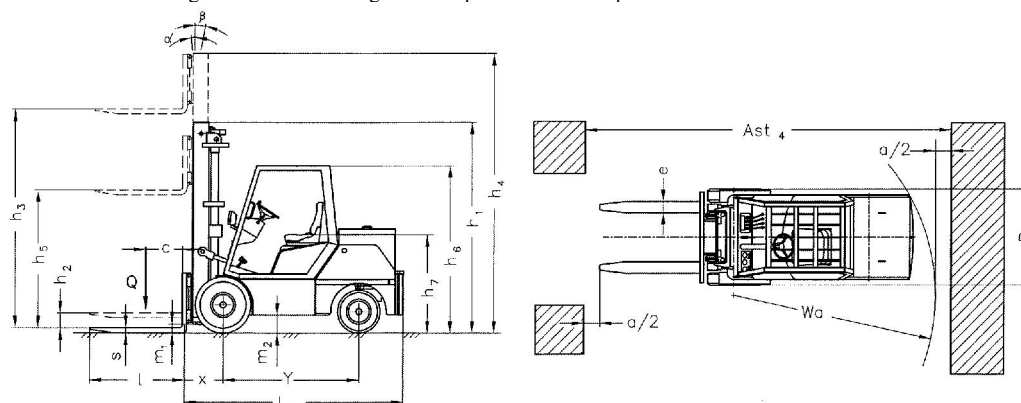
2) Recommended fork length.

* Electric forklifts in accordance with BDS EN 1726-1.

* Other variants of specifications, characteristics and batteries are possible.

* Dimensions and parameters as shown are for reference only. They have been obtained under laboratory testing conditions. They could vary in accordance with the operation mode and the corresponding variants.

* Balkancar Rekord JSC reserves the right to introduce changes to the specifications and products without notice.



MAST				
TYPE	LIFT HEIGHT h ₃	HEIGHT, MAST LOWERED h ₁	HEIGHT, MAST EXTENDED h ₄	FREE LIFT h ₂ /h ₅

SIMPLEX – 3,5/4,0 t ELECTRIC FORKLIFT
(Two masts, Free lift)

30 S	3000	2100	3585	95
40 S	4000	2590	4545	95

DUPLEX – 3,5/4,0 t ELECTRIC FORKLIFT
(Two masts, Extended free lift)

30 D	3000	2100	3630	1500
------	------	------	------	------

TRIPLEX – 3,5/4,0 t ELECTRIC FORKLIFT
(Three masts, Extended free lift)

42 T	4200	2100	4920	1400
45 T	4500	2240	5240	1500
48 T	4800	2340	5540	1600
52 T	5200	2490	5970	1740
56 T	5600	2590	6320	1850
64 T	6380	2840	7100	2130

SIMPLEX – 5,0 t ELECTRIC FORKLIFT
(Two masts, Free lift)

30 S	3000	2320	3815	60
40 S	4000	2820	4815	60

DUPLEX – 5,0 t ELECTRIC FORKLIFT
(Two masts, Extended free lift)

30 D	3000	2290	3790	1500
------	------	------	------	------

TRIPLEX – 5,0 t ELECTRIC FORKLIFT
(Three masts, Extended free lift)

42 T	4200	2140	4950	1400
45 T	4500	2240	5250	1500
48 T	4800	2340	5550	1600
52 T	5200	2490	5970	1740
56 T	5600	2640	6350	1850
64 T	6400	2890	7150	2130