

RECORD 1S

SPECIFICATION VDI 2198

		BALKANCAR RECORD								
Characteristics	1	Manufacturer								
	2	Type		DV 1630.30.227 S	DV 1632.30.227 S	DV 1636.30.227 S	DV 1638.30.227 S			
	3	Load capacity	Q	kg	1250	1500	1750	2000		
	4	Load center	C	Load center to fork face	mm	500				
	5	Drive unit	Battery / diesel / LPG							
	6	Type of operation	Pedestrian / rider seated / stand-on							
	7	Tyres	L – pneumatic; SE – superelastic							
	8	Wheels (x–driven)	Number, front/rear							
Dimensions	9	Lift	h_3	Lift height	mm	3000 ¹⁾				
	10		h_2	Free lift	mm	80 ¹⁾				
	11		h_5	Extended free lift	mm	– ¹⁾				
	12	Fork carriage	According to DIN 15137							
	13	Fork dimensions	s/e/l	Thickness / width / length	mm	40 x 80 x 1150 ²⁾				
	14	Tilt angle	α/β	Forward / backward	(°)	5°±1° / 10°±1°				
	15	Overall dimensions	L_2	Length	mm	2150	2200	2230	2290	
	16		B	Width	mm	1180				
	17		h_1	Height, mast lowered	mm	2080 ¹⁾				
	18		h_4	Height, mast extended	mm	3540 ¹⁾				
	19		h_6	Height of overhead guard	mm	2080				
	20		h_7	Height of seat	mm	1006				
	21		Turning radius	W_a	Outer radius	mm	1900	1950	2015	2080
	22	Load distance	X	Front axle center to fork face	mm	402				
23	Aisle width	Ast_4	For pallets 800x1200	mm	3650	3700	3765	3830		
			For pallets 1000x1200	mm	3850	3900	3965	4030		
Performance	24	Speed	Travel with load/without load	km/h	15 / 16					
	25		Lifting with load/without load	m/s	0,5 / 0,6					
	26		Lowering with load/without load	m/s	0,4 / 0,3					
	27	Rated drawbar pull		With load	kN	16				
28	Climbing ability		With load/without load	%	22 / 24					
Weight	29	Weight	Including battery acc. to ISO 5053–87		kg	2660	2750	2950	3130	
	30	Axle load	With load	front/rear	kg	3460/450	3760/490	4180/520	4600/530	
	31		Without load	front/rear	kg	1420/1240	1120/1630	1220/1730	1300/1830	
Chassis	32		Number, front/rear			2 / 2				
	33	Tyres	Size, front			23x9-10				
	34		Size, rear			5,00-8				
	35	Wheelbase	Y		mm	1420				
	36	Track width		Front/rear		mm	970 / 910			
	37	Ground clearance	m_1	Lowest point with load		mm	120			
	38		m_2	Center of wheelbase with load		mm	140			
	39	Service brake		Mech./hydr./pneum./combined						
	40	Parking brake		Hand/foot						
Drive	41	Battery	Type			Starter				
	42		Voltage/rated capacity		V/Ah	12/88				
	43		Weight		kg	22				
	44	Manufacturer, type (diesel/LPG)			DEUTZ D2011L03					
	45	Internal combustion engine	Engine performance to DIN 70020		kW	34,5				
	46		Rated speed to DIN70020		min ⁻¹	2600				
	47		Number of cylinders/displacement		cm ³	3/2332				
	48		Fuel consumption		l/h	3 (diesel)				
	49		Transmission		Type, speeds (forward/backward)					
	50	Clutch coupling		Type						
51	Working pressure		For attachments		MPa	14				
52	Noise level		Average value at operator's ear		dB(A)	85				

1) For other lift heights refer to MAST table.

Size h_4 does not include a load backrest. When a backrest is fitted add + 680 mm.

2) Recommended fork dimensions.

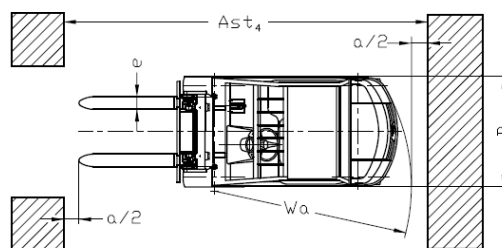
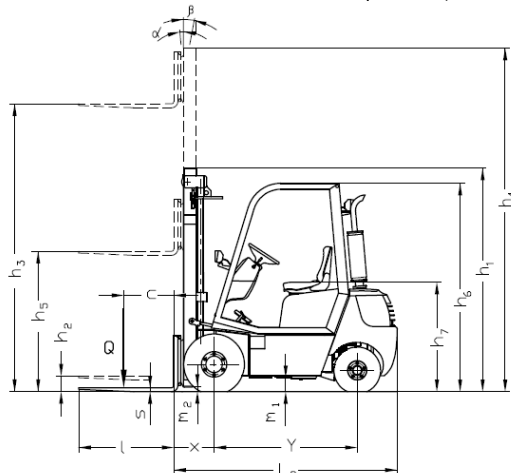
* Forklifts in accordance with BDS EN 1726-1

* Other variants of specifications and characteristics are possible.

* Dimensions and parameters as shown are for reference only. They have been obtained under laboratory testing conditions. They could vary in accordance with the operation mode and the corresponding variants.

* Balkancar Rekord JSC reserves the right to introduce changes to the specifications and products without notice.

* The pictures and illustrations do not include all variants produced, additional equipment and accessories.



RECORD 1S

SPECIFICATION VDI 2198

		BALKANCAR RECORD								
Characteristics	1	Manufacturer								
	2	Type			DV 1630.30.2MCS	DV 1632.30.2MCS	DV 1636.30.2MCS	DV 1638.30.2MCS		
	3	Load capacity	Q	kg	1250	1500	1750	2000		
	4	Load center	C	Load center to fork face	mm	500				
	5	Drive unit	Battery / diesel / LPG							
	6	Type of operation	Pedestrian / rider seated / stand-on							
	7	Tyres	L – pneumatic; SE – superelastic							
	8	Wheels (x–driven)	Number, front/rear							
Dimensions	9	Lift	h ₃	Lift height	mm	3000 ¹⁾				
	10		h ₂	Free lift	mm	80 ¹⁾				
	11		h ₅	Extended free lift	mm	– ¹⁾				
	12	Fork carriage	According to DIN 15137							
	13	Fork dimensions	s/e/l	Thickness / width / length	mm	40 x 80 x 1150 ²⁾				
	14	Tilt angle	α/β	Forward / backward	(°)	5°±1° / 10°±1°				
	15	Overall dimensions	L ₂	Length	mm	2150	2200	2230	2290	
	16		B	Width	mm	1180				
	17		h ₁	Height, mast lowered	mm	2080 ¹⁾				
	18		h ₄	Height, mast extended	mm	3540 ¹⁾				
	19		h ₆	Height of overhead guard	mm	2080				
	20		h ₇	Height of seat	mm	1006				
	21		Turning radius	Wa	Outer radius	mm	1900	1950	2015	2080
	22	Load distance	X	Front axle center to fork face	mm	402				
23	Aisle width	Ast ₄	For pallets 800x1200	mm	3650	3700	3765	3830		
			For pallets 1000x1200	mm	3850	3900	3965	4030		
Performance	24	Speed	Travel	with load/without load	km/h	15 / 16				
	25		Lifting	with load/without load	m/s	0,5 / 0,6				
	26		Lowering	with load/without load	m/s	0,4 / 0,3				
	27	Rated drawbar pull	With load			kN	16			
28	Climbing ability	With load/without load			%	22 / 24				
Weight	29	Weight	Including battery acc. to ISO 5053–87		kg	2660	2750	2950	3130	
	30	Axle load	With load front/rear		kg	3460/450	3760/490	4180/520	4600/530	
	31		Without load front/rear		kg	1420/1240	1120/1630	1220/1730	1300/1830	
Chassis	32	Number, front/rear				2 / 2				
	33	Tyres	Size, front			23x9-10				
	34		Size, rear			5,00-8				
	35	Wheelbase	Y	mm			1420			
	36	Track width	Front/rear			mm	970 / 910			
	37	Ground clearance	m ₁	Lowest point with load			mm	120		
	38		m ₂	Center of wheelbase with load			mm	140		
	39	Service brake	Mech./hydr./pneum./combined							
	40	Parking brake	Hand/foot							
	Drive	41	Battery	Type			Starter			
42		Voltage/rated capacity			V/Ah	12/88				
43		Weight			kg	22				
44		Manufacturer, type (diesel/LPG)							DEUTZ D2011L03	
45		Internal combustion engine	Engine performance to DIN 70020			kW	34,5			
46			Rated speed to DIN70020			min ⁻¹	2600			
47			Number of cylinders/displacement			cm ³	3/2332			
48			Fuel consumption			l/h	3 (diesel)			
49			Transmission			Type, speeds (forward/backward)	Hydrodynamic 10DA, 1/1			
50		Clutch coupling	Type							Hydro transformer
51	Working pressure	For attachments			MPa	14				
52	Noise level	Average value at operator's ear			dB(A)	85				

1) For other lift heights refer to MAST table.

Size h₄ does not include a load backrest. When a backrest is fitted add + 680 mm.

2) Recommended fork dimensions.

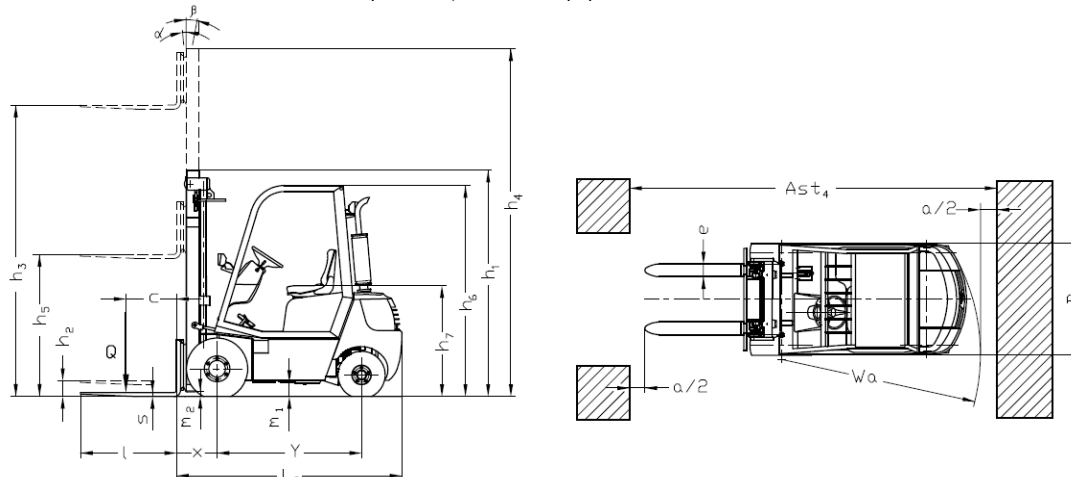
* Forklifts in accordance with BDS EN 1726-1

* Other variants of specifications and characteristics are possible.

* Dimensions and parameters as shown are for reference only. They have been obtained under laboratory testing conditions. They could vary in accordance with the operation mode and the corresponding variants.

* Balkancar Rekord JSC reserves the right to introduce changes to the specifications and products without notice.

* The pictures and illustrations do not include all variants produced, additional equipment and accessories.



MAST

TYPE	LIFT HEIGHT h_3	HEIGHT, MAST LOWERED h_1	HEIGHT, MAST EXTENDED h_4	FREE LIFT h_2/h_5
------	----------------------	----------------------------------	-----------------------------------	------------------------

SIMPLEX – 1,25/1,5/1,75/2,0 t FORKLIFT
(Two masts, Free lift)

30 S	3000	2080	3540	80
40 S	4000	2620	4555	130

DUPLEX – 1,25/1,5/1,75/2,0 t FORKLIFT
(Two masts, Extended free lift)

30 D	3000	2080	3580	1500
------	------	------	------	------

TRIPLEX – 1,25/1,5/1,75/2,0 t FORKLIFT
(Three masts, Extended free lift)

42 T	4200	2080	4800	1360
45 T	4500	2220	5220	1500
50 T	5000	2370	5670	1650
54 T	5400	2470	5990	1760
60 T	6000	2670	6590	1960