

# RECORD 1S

# SPECIFICATION VDI 2198

		BALKANCAR RECORD								
Characteristics	1	Manufacturer								
	2	Type		GV 3630.30.5MC S	GV 3632.30.5MC S	GV 3636.30.5MC S	GV 3638.30.5MC S			
	3	Load capacity	Q	kg	1250	1500	1750	2000		
	4	Load center	C	Load center to fork face	mm	500				
	5	Drive unit	Battery / diesel / LPG			gas (LPG) / gazoline				
	6	Type of operation	Pedestrian / rider seated / stand-on			Rider seated				
	7	Tyres	L – pneumatic; SE – superelastic			L/L (SE/SE)				
	8	Wheels (x–driven)	Number, front/rear			2x / 2				
Dimensions	9	Lift	h <sub>3</sub>	Lift height	mm	3000 <sup>1)</sup>				
	10		h <sub>2</sub>	Free lift	mm	80 <sup>1)</sup>				
	11		h <sub>5</sub>	Extended free lift	mm	– <sup>1)</sup>				
	12	Fork carriage	According to DIN 15137			2A				
	13	Fork dimensions	s/e/l	Thickness / width / length	mm	40 x 80 x 1150 <sup>2)</sup>				
	14	Tilt angle	α/β	Forward / backward	(°)	5°±1° / 10°±1°				
	15	Overall dimensions	L <sub>2</sub>	Length	mm	2150	2200	2230	2290	
	16		B	Width	mm	1180				
	17		h <sub>1</sub>	Height, mast lowered	mm	2080 <sup>1)</sup>				
	18		h <sub>4</sub>	Height, mast extended	mm	3540 <sup>1)</sup>				
	19		h <sub>6</sub>	Height of overhead guard	mm	2080				
	20		h <sub>7</sub>	Height of seat	mm	1006				
	21		Turning radius	Wa	Outer radius	mm	1900	1950	2015	2080
22	Load distance	X	Front axle center to fork face	mm	402					
23	Aisle width	Ast <sub>4</sub>	For pallets 800x1200	mm	3650	3700	3765	3830		
			For pallets 1000x1200	mm	3850	3900	3965	4030		
Performance	24	Speed	Travel with load/without load	km/h	15 / 16					
	25		Lifting with load/without load	m/s	0,5 / 0,6					
	26		Lowering with load/without load	m/s	0,4 / 0,3					
	27	Rated drawbar pull		With load	kN	16				
28	Climbing ability		With load/without load	%	22 / 24					
Weight	29	Weight	Including battery acc. to ISO 5053–87		kg	2440	2530	2730	2910	
	30	Axle load	With load	front/rear	kg	3300/390	3610/420	4030/450	4450/460	
	31		Without load	front/rear	kg	1000/1440	990/1540	1090/1640	1170/1740	
Chassis	32		Number, front/rear			2 / 2				
	33	Tyres	Size, front			23x9-10				
	34		Size, rear			5,00-8				
	35	Wheelbase	Y		mm	1420				
	36	Track width		Front/rear	mm	970 / 910				
	37	Ground clearance	m <sub>1</sub>	Lowest point with load	mm	120				
	38		m <sub>2</sub>	Center of wheelbase with load	mm	140				
	39	Service brake		Mech./hydr./pneum./combined			Wet disk type			
	40	Parking brake		Hand/foot			Hand			
Drive	41	Battery	Type			Starter				
	42		Voltage/rated capacity		V/Ah	12/88				
	43		Weight		kg	22				
	44		Manufacturer, type (diesel/LPG)			TOYOTA 4Y (LPG / gazoline)				
	45	Internal combustion engine	Engine performance to DIN 70020		kW	43				
	46		Rated speed to DIN70020		min <sup>-1</sup>	2600				
	47		Number of cylinders/displacement		cm <sup>3</sup>	4 / 2300				
	48		Fuel consumption		l/h	4,5 (gas - LPG) / 3 gazoline				
	49	Transmission		Type, speeds (forward/backward)			Hydrodynamic 10DA, 1/1			
	50	Clutch coupling		Type			Hydro transformer			
51	Working pressure		For attachments		MPa	14				
52	Noise level		Average value at operator's ear		dB(A)	85				

1) For other lift heights refer to MAST table.

Size h<sub>4</sub> does not include a load backrest. When a backrest is fitted add + 680 mm.

2) Recommended fork dimensions.

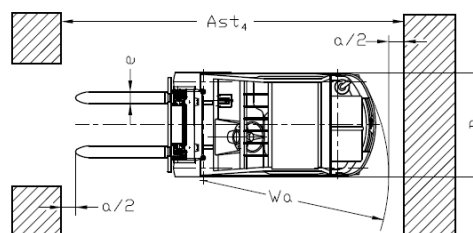
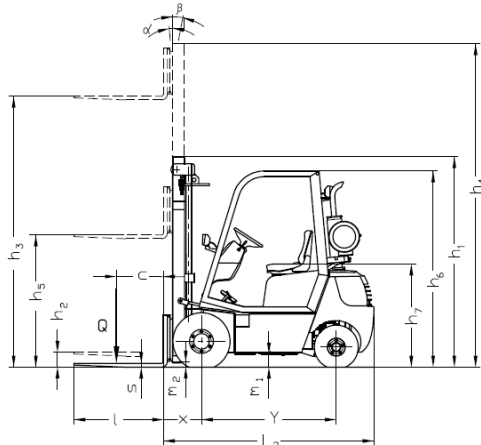
\* Forklifts in accordance with BDS EN 1726-1.

\* Other variants of specifications and characteristics are possible.

\* Dimensions and parameters as shown are for reference only. They have been obtained under laboratory testing conditions. They could vary in accordance with the operation mode and the corresponding variants.

\* Balkancar Rekord JSC reserves the right to introduce changes to the specifications and products without notice.

\* The pictures and illustrations do not include all variants produced, additional equipment and accessories.



**MAST**

TYPE	LIFT HEIGHT $h_3$	HEIGHT, MAST LOWERED $h_1$	HEIGHT, MAST EXTENDED $h_4$	FREE LIFT $h_2/h_5$
------	----------------------	----------------------------------	-----------------------------------	------------------------

SIMPLEX – 1,25/1,5/1,75/2,0 t FORKLIFT  
(Two masts, Free lift)

30 S	3000	2080	3540	80
40 S	4000	2620	4555	130

DUPLEX – 1,25/1,5/1,75/2,0 t FORKLIFT  
(Two masts, Extended free lift)

30 D	3000	2080	3580	1500
------	------	------	------	------

TRIPLEX – 1,25/1,5/1,75/2,0 t FORKLIFT  
(Three masts, Extended free lift)

42 T	4200	2080	4800	1360
45 T	4500	2220	5220	1500
50 T	5000	2370	5670	1650
54 T	5400	2470	5990	1760
60 T	6000	2670	6590	1960