

RECORD 2E

SPECIFICATION VDI 2198

BALKANCAR RECORD JSC

Characteristics		BALKANCAR RECORD JSC				
1	Manufacturer					
2	Type		DV 1786.30.2MC E	DV 1788.30.2MC E	DV 1792.30.2MC E	
3	Load capacity	Q	kg	2500	3000	3500
4	Load center	C	mm	2500	500	
5	Drive unit	Battery/diesel/LPG			Diesel	
6	Type of operation	Pedestrian/rider seated/stand-on			Rider seated	
7	Tyres	L – pneumatic; SE – superelastic			L/L (SE/SE)	
8	Wheels (x–driven)	Number, front/rear			2x / 2	
Dimensions						
9	Lift	h ₃	Lift height	mm	3000 ¹⁾	
10		h ₂	Free lift	mm	96 ¹⁾	
11		h ₅	Extended free lift	mm	1 ¹⁾	
12	Fork carriage	According to DIN 15137			2A	3A
13	Fork dimensions	l	According to DIN 15137 / length	mm	2A / 1150 ²⁾	3A / 1150 ²⁾
14	Tilt angle	α/β	Forward/backward	(°)	5°±1°/10°±1°	
15	Overall dimensions	L ₂	Length	mm	2610	2700
16		B	Width	mm	1200	
17		h ₁	Height, mast lowered	mm	2100 ¹⁾	
18		h ₄	Height, mast extended	mm	3545 ¹⁾	
19		h ₆	Height of overhead guard	mm	2160	
20		h ₇	Height of seat	mm	1120	
21		Turning radius	Wa	Outer radius	mm	2365
22	Load distance	X	Front axle center to fork face	mm	515	
23	Aisle width	Ast ₄	For pallets 800x1200 For pallets 1000x1200	mm	3750 3950	3890 4090
Performance						
24	Speed		Travel with load/without load	km/h	17 / 18	19 / 20
25			Lifting with load/without load	m/s	0,5 / 0,6	
26			Lowering with load/without load	m/s	0,4 / 0,3	
27	Rated drawbar pull		With load	kN	23	25
28	Climbing ability		With load/without load	%	25 / 27	
Weight						
29	Weight		Including battery acc. to ISO 5053–87	kg	4010	4470
30	Axle load		With load front/rear	kg	5840/670	6780/690
31			Without load front/rear	kg	1790/2220	1920/2550
32	Tyres		Number, front/rear		2 / 2	
33			Size, front		7,00-12	8,15-15
34			Size, rear		6,00-9	6,50-10
35	Wheelbase	Y		mm	1650	1740
36	Track width		Front/rear	mm	980 / 960	
37	Ground clearance	m ₁	Lowest point with load	mm	120	
38		m ₂	Center of wheelbase with load	mm	170	
39	Service brake	Mech./hydr./pneum./combined			Hydraulic disk brake	
40	Parking brake	Hand/foot			Hand	
Drive						
41	Battery		Type		Starter	
42			Voltage/rated capacity	V/Ah	12 / 88	
43			Weight	kg	22	
44	Internal combustion engine		Manufacturer, type (diesel/LPG)		DEUTZ D2011L04W, diesel	
45			Engine performance to DIN 70020	kW	47,5	
46			Rated speed to DIN70020	min ⁻¹	2600	
47			Number of cylinders/displacement	cm ³	4/3620	
48			Fuel consumption	l/h	3,2 l/h (diesel)	
49	Transmission	Type, speeds (forward/backward)			Hydrodynamic 10DA, 1/1	
50	Clutch coupling	Type			Hydro transformer	
51	Working pressure	For attachments			MPa	
52	Noise level	Average value at operator's ear			dB(A)	

1) For other lift heights refer to MAST table.
Size h₄ does not include a load backrest. When a backrest is fitted add + 680 mm.

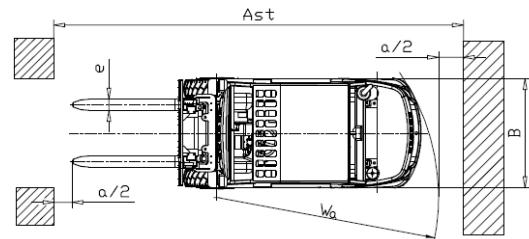
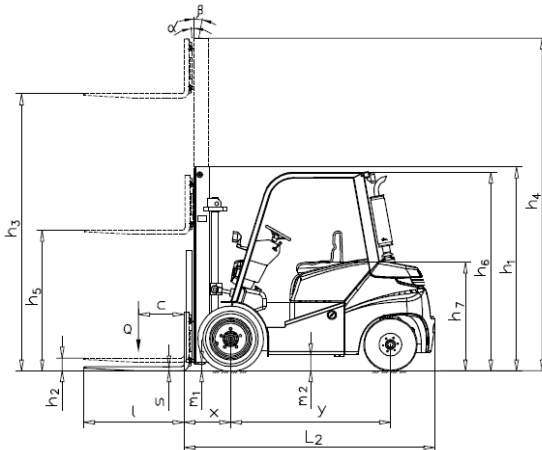
2) Recommended fork length.

* Forklifts in accordance with BDS EN 1726-1

* Other variants of specifications and characteristics are possible.

* Dimensions and parameters as shown are for reference only. They have been obtained under laboratory testing conditions. They could vary in accordance with the operation mode and the corresponding variants.

* Balkancar Rekord JSC reserves the right to introduce changes to the specifications and products without notice.



MAST				
TYPE	LIFT HEIGHT h_3	HEIGHT, MAST LOWERED h_1	HEIGHT, MAST EXTENDED h_4	FREE LIFT h_2/h_5

SIMPLEX – 2,5 t FORKLIFT

(Two masts, Free lift)

30 S	3000	2100	3545	96
40 S	4000	2590	4545	96

DUPLEX – 2,5 t FORKLIFT

(Two masts, Extended free lift)

30 D	3000	2100	3600	1500
------	------	------	------	------

TRIPLEX – 2,5 t FORKLIFT

(Three masts, Extended free lift)

42 T	4200	2100	4820	1480
45 T	4500	2240	5240	1600
48 T	4800	2310	5450	1660
52 T	5200	2440	5840	1800
56 T	5600	2590	6290	1940
64 T	6400	2840	7040	2200

SIMPLEX – 3,0 - 3,5 t FORKLIFT

(Two masts, Free lift)

30 S	3000	2100	3545	96
40 S	4000	2590	4545	96

DUPLEX – 3,0 - 3,5 t FORKLIFT

(Two masts, Extended free lift)

30 D	3000	2100	3630	1500
------	------	------	------	------

TRIPLEX – 3,0 - 3,5 t FORKLIFT

(Three masts, Extended free lift)

42 T	4200	2100	4915	1400
45 T	4500	2240	5240	1520
48 T	4800	2340	5540	1600
52 T	5200	2490	5970	1740
56 T	5600	2590	6315	1900
64 T	6400	2840	7100	2140