

# RECORD 2E

# SPECIFICATION VDI 2198

BALKANCAR RECORD JSC

Characteristics		BALKANCAR RECORD JSC					
1	Manufacturer						
2	Type		DV 1786.30.5MC E	DV 1788.30.5MC E	DV 1792.30.5MC E		
3	Load capacity	Q	kg	2500	3000	3500	
4	Load center	C	mm	2500	500		
5	Drive unit	Battery/diesel/LPG			Diesel		
6	Type of operation	Pedestrian/rider seated/stand-on			Rider seated		
7	Tyres	L – pneumatic; SE – superelastic			L/L (SE/SE)		
8	Wheels (x–driven)	Number, front/rear			2x / 2		
Dimensions							
9	Lift	h <sub>3</sub>	Lift height	mm	3000 <sup>1)</sup>		
10		h <sub>2</sub>	Free lift	mm	96 <sup>1)</sup>		
11		h <sub>5</sub>	Extended free lift	mm	1 <sup>1)</sup>		
12	Fork carriage	According to DIN 15137			2A	3A	
13	Fork dimensions	l	According to DIN 15137 / length	mm	2A / 1150 <sup>2)</sup>	3A / 1150 <sup>2)</sup>	
14	Tilt angle	α/β	Forward/backward	(°)	5°±1°/10°±1°		
15	Overall dimensions	L <sub>2</sub>	Length	mm	2610	2700	
16		B	Width	mm	1200		
17		h <sub>1</sub>	Height, mast lowered	mm	2100 <sup>1)</sup>		
18		h <sub>4</sub>	Height, mast extended	mm	3545 <sup>1)</sup>		
19		h <sub>6</sub>	Height of overhead guard	mm	2160		
20		h <sub>7</sub>	Height of seat	mm	1120		
21		Turning radius	Wa	Outer radius	mm	2365	2400
22	Load distance	X	Front axle center to fork face	mm	515		
23	Aisle width	Ast <sub>4</sub>	For pallets 800x1200 For pallets 1000x1200	mm	3750 3950	3890 4090	
Performance							
24	Speed		Travel with load/without load	km/h	15 / 16	17 / 18	
25			Lifting with load/without load	m/s	0,5 / 0,6		
26			Lowering with load/without load	m/s	0,4 / 0,3		
27	Rated drawbar pull		With load	kN	23	25	
28	Climbing ability		With load/without load	%	25 / 27	22 / 24	
Weight							
29	Weight		Including battery acc. to ISO 5053–87	kg	3970	4430	4680
30	Axle load		With load front/rear	kg	5830/640	6770/660	7500/680
31			Without load front/rear	kg	1780/2190	1910/2520	1960/2720
Chassis							
32	Tyres		Number, front/rear		2 / 2		
33			Size, front		7,00-12	8,15-15	
34			Size, rear		6,00-9	6,50-10	
35	Wheelbase	Y	mm	1650	1740		
36	Track width		Front/rear	mm	980 / 960		
37	Ground clearance	m <sub>1</sub>	Lowest point with load	mm	120		
38		m <sub>2</sub>	Center of wheelbase with load	mm	170		
39	Service brake	Mech./hydr./pneum./combined			Hydraulic disk brake		
40	Parking brake	Hand/foot			Hand		
Drive							
41	Battery		Type		Starter		
42			Voltage/rated capacity	V/Ah	12 / 88		
43			Weight	kg	22		
44	Internal combustion engine	Manufacturer, type (diesel/LPG)			TOYOTA 3Z, diesel		
45		Engine performance to DIN 70020			42		
46		Rated speed to DIN70020			2200		
47		Number of cylinders/displacement			4 / 3469		
48		Fuel consumption			3 (diesel)		
49	Transmission	Type, speeds (forward/backward)			Hydrodynamic 10DA, 1/1		
50	Clutch coupling	Type			Hydro transformer		
51	Working pressure	For attachments			MPa		14
52	Noise level	Average value at operator's ear			dB(A)		80

1) For other lift heights refer to MAST table.  
Size h<sub>4</sub> does not include a load backrest. When a backrest is fitted add + 680 mm.

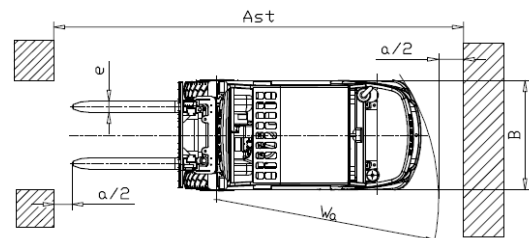
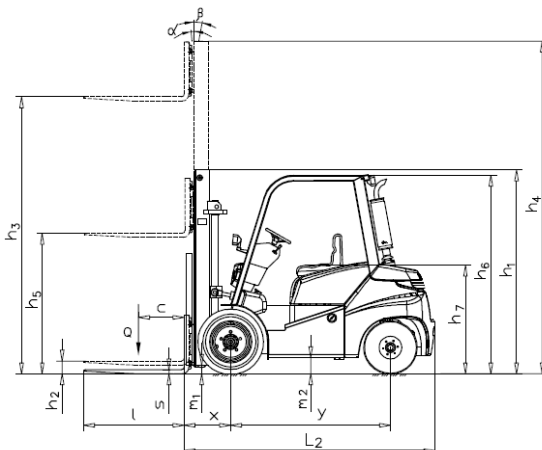
2) Recommended fork length.

\* Forklifts in accordance with BDS EN 1726-1

\* Other variants of specifications and characteristics are possible.

\* Dimensions and parameters as shown are for reference only. They have been obtained under laboratory testing conditions. They could vary in accordance with the operation mode and the corresponding variants.

\* Balkancar Rekord JSC reserves the right to introduce changes to the specifications and products without notice.



<b>MAST</b>				
TYPE	LIFT HEIGHT $h_3$	HEIGHT, MAST LOWERED $h_1$	HEIGHT, MAST EXTENDED $h_4$	FREE LIFT $h_2/h_5$

**SIMPLEX – 2,5 t FORKLIFT**

(Two masts, Free lift)

30 S	3000	2100	3545	96
40 S	4000	2590	4545	96

**DUPLEX – 2,5 t FORKLIFT**

(Two masts, Extended free lift)

30 D	3000	2100	3600	1500
------	------	------	------	------

**TRIPLEX – 2,5 t FORKLIFT**

(Three masts, Extended free lift)

42 T	4200	2100	4820	1480
45 T	4500	2240	5240	1600
48 T	4800	2310	5450	1660
52 T	5200	2440	5840	1800
56 T	5600	2590	6290	1940
64 T	6400	2840	7040	2200

**SIMPLEX – 3,0 - 3,5 t FORKLIFT**

(Two masts, Free lift)

30 S	3000	2100	3545	96
40 S	4000	2590	4545	96

**DUPLEX – 3,0 - 3,5 t FORKLIFT**

(Two masts, Extended free lift)

30 D	3000	2100	3630	1500
------	------	------	------	------

**TRIPLEX – 3,0 - 3,5 t FORKLIFT**

(Three masts, Extended free lift)

42 T	4200	2100	4915	1400
45 T	4500	2240	5240	1520
48 T	4800	2340	5540	1600
52 T	5200	2490	5970	1740
56 T	5600	2590	6315	1900
64 T	6400	2840	7100	2140