

RECORD 2E

SPECIFICATION VDI 2198

BALKANCAR RECORD JSC

Characteristics				GV 3786.30.5MC E			GV 3788.30.5MC E	GV 3792.30.5MC E		
1	Manufacturer			BALKANCAR RECORD JSC						
2	Type			GV 3786.30.5MC E						
3	Load capacity	Q		kg	2500	3000	3500			
4	Load center	C	Load center to fork face	mm	500					
5	Drive unit			Battery/diesel/LPG						
6	Type of operation			Pedestrian/rider seated/stand-on						
7	Tyres			L – pneumatic; SE – superelastic						
8	Wheels (x–driven)			Number, front/rear						
				2x / 2						
Dimensions		9	Lift	h_3	Lift height	mm	3000 ¹⁾			
		10		h_2	Free lift	mm	96 ¹⁾			
		11		h_5	Extended free lift	mm	- ¹⁾			
		12	Fork carriage			According to DIN 15137		2A	3A	
		13	Fork dimensions	l	According to DIN 15137 / length	mm	2A / 1150 ²⁾		3A / 1150 ²⁾	
		14	Tilt angle	α/β	Forward/backward	(°)	5°±1°/10°±1°			
		15	Overall dimensions	L_2	Length	mm	2610	2700		
		16		B	Width	mm	1200			
		17		h_1	Height, most lowered	mm	2100 ¹⁾			
		18		h_4	Height, most extended	mm	3545 ¹⁾			
		19		h_6	Height of overhead guard	mm	2160			
		20		h_7	Height of seat	mm	1120			
		21		Turning radius	Wa	Outer radius	mm	2365	2400	
22	Load distance	X	Front axle center to fork face	mm	515					
23	Aisle width	Ast ₄	For pallets 800x1200 For pallets 1000x1200	mm	3750 3950	3890 4090				
Performance		24	Speed	Travel	with load/without load	km/h	15 / 16		17 / 18	
		25		Lifting	with load/without load	m/s	0,5 / 0,6			
		26		Lowering	with load/without load	m/s	0,4 / 0,3			
		27	Rated drawbar pull	With load		kN	23	25		
28	Climbing ability	With load/without load		%	25 / 27		22 / 24			
Weight		29	Weight	Including battery acc. to ISO 5053–87		kg	3970	4430	4680	
		30	Axle load	With load	front/rear	kg	5830/640		6770/660	
		31		Without load	front/rear	kg	1780/2190		1910/2520	
Chassis		32	Tyres	Number, front/rear			2 / 2			
		33		Size, front			7,00-12		8,15-15	
		34		Size, rear			6,00-9		6,50-10	
		35	Wheelbase	Y		mm	1650	1740		
		36	Track width	Front/rear		mm	980 / 960			
		37	Ground clearance	m_1	Lowest point with load	mm	120			
		38		m_2	Center of wheelbase with load	mm	170			
		39	Service brake	Mech./hydr./pneum./combined			Hydraulic disk brake			
40	Parking brake	Hand/foot			Hand					
Drive		41	Battery	Type			Starter			
		42		Voltage/rated capacity	V/Ah	12 / 88				
		43		Weight	kg	22				
		44	Internal combustion engine	Manufacturer, type (diesel/LPG)			TOYOTA 4Y (LPG / gasoline)			
		45		Engine performance to DIN 70020	kW	43				
		46		Rated speed to DIN70020	min ⁻¹	2600				
		47		Number of cylinders/displacement	cm ³	4 / 2300				
		48		Fuel consumption	l/h	4,8 (gas - LPG) / 3 gasoline				
		49	Transmission	Type, speeds (forward/backward)			Hydrodynamic 10DA, 1/1			
		50	Clutch coupling	Type			Hydro transformer			
51	Working pressure	For attachments		MPa	14					
52	Noise level	Average value at operator's ear		dB(A)	80					

1) For other lift heights refer to MAST table.

Size h_4 does not include a load backrest. When a backrest is fitted add + 680 mm.

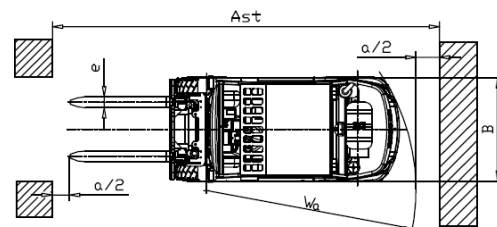
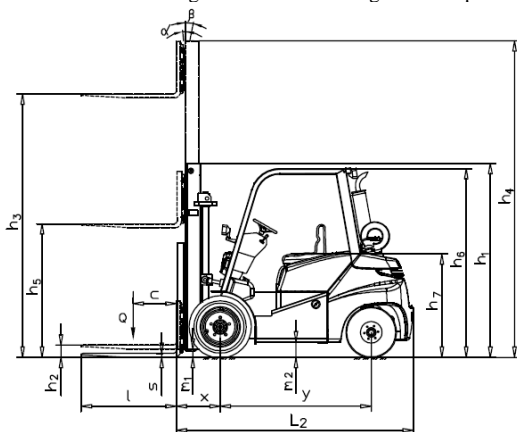
2) Recommended fork length.

* Forklifts in accordance with BDS EN 1726-1.

* Other variants of specifications and characteristics are possible.

* Dimensions and parameters as shown are for reference only. They have been obtained under laboratory testing conditions. They could vary in accordance with the operation mode and the corresponding variants.

* Balkancar Rekord JSC reserves the right to introduce changes to the specifications and products without notice.



MAST				
TYPE	LIFT HEIGHT h_3	HEIGHT, MAST LOWERED h_1	HEIGHT, MAST EXTENDED h_4	FREE LIFT h_2/h_5

SIMPLEX – 2,5 t FORKLIFT

(Two masts, Free lift)

30 S	3000	2100	3545	96
40 S	4000	2590	4545	96

DUPLEX – 2,5 t FORKLIFT

(Two masts, Extended free lift)

30 D	3000	2100	3600	1500
------	------	------	------	------

TRIPLEX – 2,5 t FORKLIFT

(Three masts, Extended free lift)

42 T	4200	2100	4820	1480
45 T	4500	2240	5240	1600
48 T	4800	2310	5450	1660
52 T	5200	2440	5840	1800
56 T	5600	2590	6290	1940
64 T	6400	2840	7040	2200

SIMPLEX – 3,0 - 3,5 t FORKLIFT

(Two masts, Free lift)

30 S	3000	2100	3545	96
40 S	4000	2590	4545	96

DUPLEX – 3,0 - 3,5 t FORKLIFT

(Two masts, Extended free lift)

30 D	3000	2100	3630	1500
------	------	------	------	------

TRIPLEX – 3,0 - 3,5 t FORKLIFT

(Three masts, Extended free lift)

42 T	4200	2100	4915	1400
45 T	4500	2240	5240	1520
48 T	4800	2340	5540	1600
52 T	5200	2490	5970	1740
56 T	5600	2590	6315	1900
64 T	6400	2840	7100	2140