

RECORD 2S

SPECIFICATION VDI 2198

RECORD 2S		SPECIFICATION VDI 2198				
Characteristics	1	Manufacturer	BALKANCAR RECORD JSC			
	2	Type	Diesel forklift		DV 1798.30.249S	
	3	Load capacity	Q	kg	5000	
	4	Load center	C	mm	500	
	5	Drive unit			Diesel	
	6	Type of operation			Rider seated	
	7	Tyres			L/L (SE/SE)	
	8	Wheels (x-driven)			2x / 2	
Dimensions	9	Lift	h_3	Lift height	mm	3000 ¹⁾
	10		h_2	Free lift	mm	60 ¹⁾
	11		h_5	Extended free lift	mm	— ¹⁾
	12	Fork carriage		According to DIN 15137		4 A
	13	Fork dimensions	l	According to DIN 15137 / length	mm	4 A / 1150 ²⁾
	14	Tilt angle	α/β	Forward / backward	(°)	5°±1° / 10°±1°
	15	Overall dimensions	L_2	Length	mm	3200
	16		B	Width	mm	1300
	17		h_1	Height, mast lowered	mm	2320 ¹⁾
	18		h_4	Height, mast extended	mm	3815 ¹⁾
	19		h_6	Height of overhead guard	mm	2260
	20		h_7	Height of seat	mm	1150
	21		Turning radius	W_a	Outer turning radius	mm
	22	Load distance	X	Front axle center to fork face	mm	555
23	Aisle width	A_{st4}	For pallets 800x1200 For pallets 1000x1200	mm	4750 4950	
Performance	24	Speed		Travel with load/without load	km/h	I – 10; II – 20
	25			Lifting with load/without load	m/s	0,3 / 0,4
	26			Lowering with load/without load	m/s	0,5 / 0,35
	27	Rated drawbar pull		With load	kN	I – 28; II – 19
28	Climbing ability		With load/without load	%	I – 28/30	
Weight	29	Weight		Including battery acc. to ISO 5053 – 87	kg	6210
	30	Axle load		With load front / rear	kg	10270 / 940
	31			Without load front / rear	kg	2980 / 3230
Chassis	32	Tyres		Number, front / rear		2 / 2
	33			Size, front		250-15
	34			Size, rear		6,50-10
	35	Wheelbase	Y		mm	2060
	36	Track width		Front / rear	mm	1050 / 965
	37	Ground clearance	m_1	Lowest point with load	mm	140
	38		m_2	Center of wheelbase with load	mm	218
	39	Service brake		Mech./hydr./pneum./combined		Hydraulic
40	Parking brake		Hand / foot		Hand	
Drive	41	Battery		Type		Starter
	42			Voltage / rated capacity	V/Ah	12 / 88
	43			Weight	kg	22
	44	Internal combustion engine		Manufacturer, type (diesel / LPG)		DEUTZ D2011 L04 W (diesel)
	45			Engine performance to DIN 70020	kW	47,5
	46			Rated speed to DIN 70020	min ⁻¹	2600
	47			Number of cylinders/displacement	/ cm ³	4 / 3620
	48			Fuel consumption	l/h	4 (diesel)
	49	Transmission		Type, speeds (forward / backward)		Hydrodynamic 6870 S3, 2/1
	50	Clutch coupling		Type		Hydro transformer
51	Working pressure		For attachments	MPa	14	
52	Noise level		Average value at operator's ear	dB(A)	85	

1) For other lift heights refer to MAST table.

Size h_4 does not include a load backrest. When a backrest is fitted add + 680 mm.

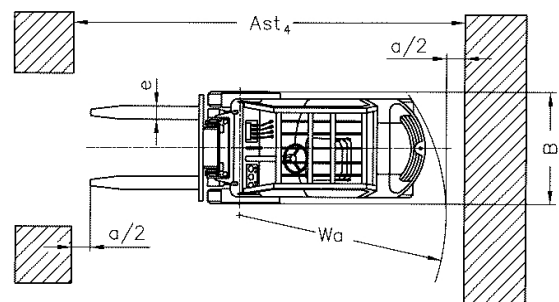
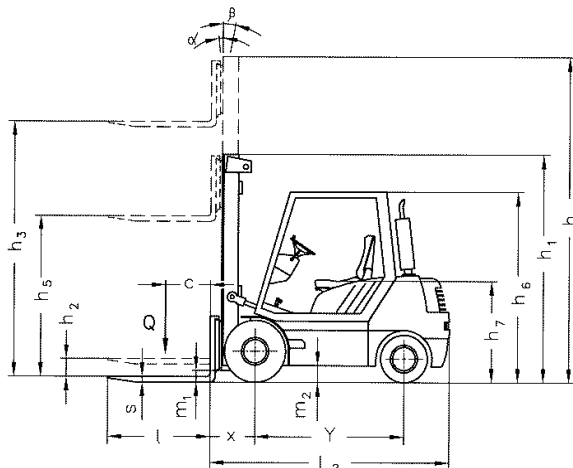
2) Recommended fork length.

* Forklifts in accordance with BDS EN 1726-1.

* Other variants of specifications and characteristics are possible.

* Dimensions and parameters as shown are for reference only. They have been obtained under laboratory testing conditions. They could vary in accordance with the operation mode and the corresponding variants.

* Balkancar Rekord JSC reserves the right to introduce changes to the specifications and products without notice.



RECORD 2S

SPECIFICATION VDI 2198

RECORD 2S		SPECIFICATION VDI 2198				
Characteristics	1	Manufacturer	BALKANCAR RECORD JSC			
	2	Type	Diesel forklift		DV 1798.30.2MC S	
	3	Load capacity	Q	kg	5000	
	4	Load center	C	mm	500	
	5	Drive unit			Battery / diesel / LPG	
	6	Type of operation			Pedestrian / rider seated / stand-on	
	7	Tyres			L – pneumatic; SE – superelastic	
	8	Wheels (x–driven)			L/L (SE/SE)	
Dimensions	9	Lift	h_3	Lift height	mm	3000 ¹⁾
	10		h_2	Free lift	mm	60 ¹⁾
	11		h_5	Extended free lift	mm	– ¹⁾
	12	Fork carriage		According to DIN 15137		4 A
	13	Fork dimensions	l	According to DIN 15137 / length	mm	4 A / 1150 ²⁾
	14	Tilt angle	α/β	Forward / backward	(°)	5°±1° / 10°±1°
	15	Overall dimensions	L_2	Length	mm	3200
	16		B	Width	mm	1300
	17		h_1	Height, mast lowered	mm	2320 ¹⁾
	18		h_4	Height, mast extended	mm	3815 ¹⁾
	19		h_6	Height of overhead guard	mm	2260
	20		h_7	Height of seat	mm	1150
	21		Turning radius	Wa	Outer turning radius	mm
	22	Load distance	X	Front axle center to fork face	mm	555
	23	Aisle width	Ast ₄	For pallets 800x1200 For pallets 1000x1200	mm	4750 4950
Performance	24	Speed		Travel with load/without load	km/h	I – 10; II – 20
	25			Lifting with load/without load	m/s	0,3 / 0,4
	26			Lowering with load/without load	m/s	0,5 / 0,35
	27	Rated drawbar pull		With load	kN	I – 28; II – 19
28	Climbing ability		With load/without load	%	I – 28/30	
Weight	29	Weight		Including battery acc. to ISO 5053 – 87	kg	6210
	30	Axle load		With load front / rear	kg	10270 / 940
	31			Without load front / rear	kg	2980 / 3230
Chassis	32	Tyres		Number, front / rear		2 / 2
	33			Size, front		250-15
	34			Size, rear		6,50-10
	35	Wheelbase	Y		mm	2060
	36	Track width		Front / rear	mm	1050 / 965
	37	Ground clearance	m_1	Lowest point with load	mm	140
	38		m_2	Center of wheelbase with load	mm	218
	39	Service brake		Mech./hydr./pneum./combined		Wet disk type
	40	Parking brake		Hand / foot		Hand
	Drive	41	Battery		Type	
42				Voltage / rated capacity	V/Ah	12 / 88
43				Weight	kg	22
44		Internal combustion engine		Manufacturer, type (diesel / LPG)		DEUTZ D2011 L04 W (diesel)
45				Engine performance to DIN 70020	kW	47,5
46				Rated speed to DIN 70020	min ⁻¹	2600
47				Number of cylinders/displacement	/ cm ³	4 / 3620
48				Fuel consumption	l/h	4 (diesel)
49			Transmission		Type, speeds (forward / backward)	
50		Clutch coupling		Type		Hydro transformer
51	Working pressure		For attachments	MPa	14	
52	Noise level		Average value at operator's ear	dB(A)	85	

1) For other lift heights refer to MAST table.

Size h_4 does not include a load backrest. When a backrest is fitted add + 680 mm.

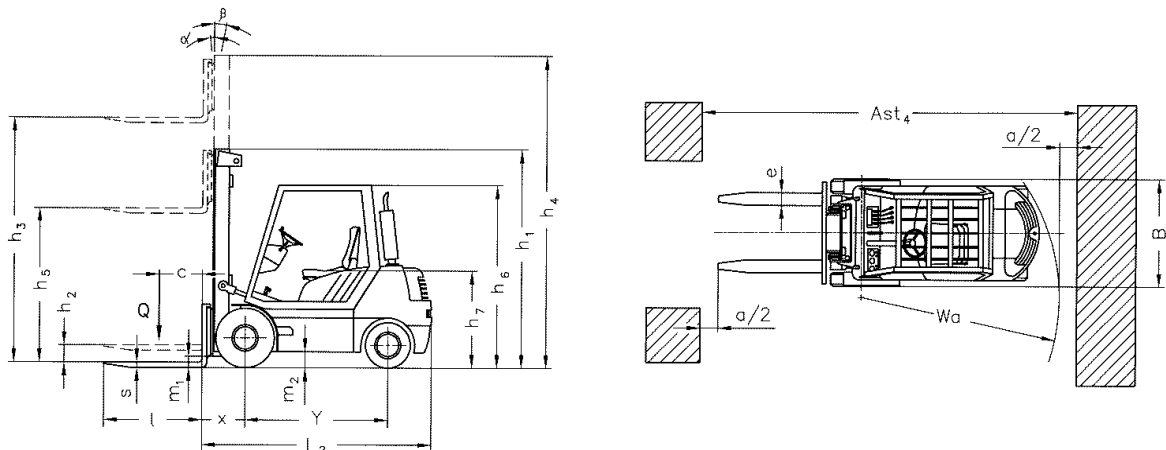
2) Recommended fork length.

* Forklifts in accordance with BDS EN 1726-1.

* Other variants of specifications and characteristics are possible.

* Dimensions and parameters as shown are for reference only. They have been obtained under laboratory testing conditions. They could vary in accordance with the operation mode and the corresponding variants.

* Balkancar Rekord JSC reserves the right to introduce changes to the specifications and products without notice.



MAST				
TYPE	LIFT HEIGHT h_3	HEIGHT, MAST LOWERED h_1	HEIGHT, MAST EXTENDED h_4	FREE LIFT h_2/h_5

SIMPLEX – 5,0 t FORKLIFT

(Two masts, Free lift)

30 S	3000	2320	3815	60
40 S	4000	2820	4815	60

DUPLEX – 5,0 t FORKLIFT

(Two masts, Extended free lift)

30 D	3000	2290	3790	1500
------	------	------	------	------

TRIPLEX – 5,0 t FORKLIFT

(Three masts, Extended free lift)

42 T	4200	2100	4916	1400
45 T	4500	2240	5240	1500
48 T	4800	2340	5540	1600
52 T	5200	2490	5970	1740
56 T	5600	2590	6316	1850
64 T	6400	2840	7100	2130