

RECORD 2S

SPECIFICATION VDI 2198

		BALKANCAR RECORD JSC				
Characteristics	1	Manufacturer				
	2	Type		Diesel forklift		
	3	Load capacity	Q	kg	5000	
	4	Load center	C	mm	500	
	5	Drive unit	Battery / diesel / LPG		Diesel	
	6	Type of operation	Pedestrian / rider seated / stand-on		Rider seated	
	7	Tyres	L – pneumatic; SE – superelastic		L/L (SE/SE)	
	8	Wheels (x-driven)	Number, front / rear		2x / 2	
Dimensions	9	Lift	h_3	Lift height	mm	3000 ¹⁾
	10		h_2	Free lift	mm	60 ¹⁾
	11		h_5	Extended free lift	mm	1 ¹⁾
	12	Fork carriage	According to DIN 15137			4 A
	13	Fork dimensions	s/e/l	Thickness / width / length	mm	45 x 130 x 1150 ²⁾
	14	Tilt angle	α/β	Forward / backward	(°)	5°±1°/10°±1°
	15	Overall dimensions	L_2	Length	mm	3200
	16		B	Width	mm	1300
	17		h_1	Height, mast lowered	mm	2320 ¹⁾
	18		h_4	Height, mast extended	mm	3815 ¹⁾
	19		h_6	Height of overhead guard	mm	2260
	20		h_7	Height of seat	mm	1150
	21		Turning radius	W_a	Outer turning radius	mm
	22	Load distance	X	Front axle center to fork face	mm	555
23	Aisle width	Ast_4	For pallets 800x1200 For pallets 1000x1200	mm	4750 4750	
Performance	24	Speed	Travel with load/without load		km/h	I – 10; II – 20
	25		Lifting with load/without load		m/s	0,3/0,4
	26		Lowering with load/without load		m/s	0,5/0,35
	27	Rated drawbar pull	With load		kN	I – 28; II – 19
	28	Climbing ability	With load/without load		%	I – 28/30
Weight	29	Weight	Including battery acc. to ISO 5053 – 87		kg	6450
	30	Axle load	With load front / rear		kg	10490 / 960
	31		Without load front / rear		kg	3100 / 3350
Chassis	32	Tyres	Number, front / rear			2 / 2
	33		Size, front			250-15
	34		Size, rear			6,50-10
	35	Wheelbase	Y	mm	2060	
	36	Track width	Front / rear		mm	1050/965
	37	Ground clearance	m_1	Lowest point with load	mm	140
	38		m_2	Center of wheelbase with load	mm	218
	39	Service brake	Mech./hydr./pneum./combined			Hydraulic
40	Parking brake	Hand / foot			Hand	
Drive	41	Battery	Type			Starter
	42		Voltage / rated capacity		V/Ah	12/135
	43		Weight		kg	41
	44	Internal combustion engine	Manufacturer, type (diesel / LPG)			Д243-C
	45		Engine performance to DIN 70020		kW	60
	46		Rated speed to DIN 70020		min ⁻¹	2200
	47		Number of cylinders/displacement		/ cm ³	4 / 4800
	48		Fuel consumption		l/h	4 (diesel)
	49		Transmission	Type, speeds (forward / backward)		
	50	Clutch coupling	Type			Hydro transformer
	51	Working pressure	For attachments		MPa	14
	52	Noise level	Average value at operator's ear		dB(A)	85

1) For other lift heights refer to MAST table.

Size h_4 does not include a load backrest. When a backrest is fitted add + 680 mm.

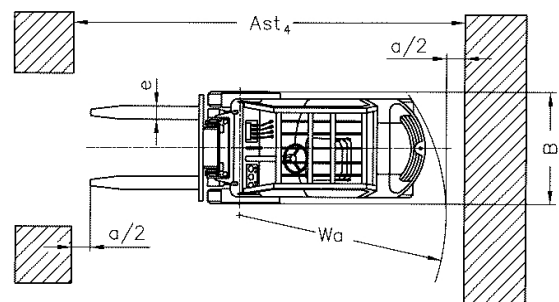
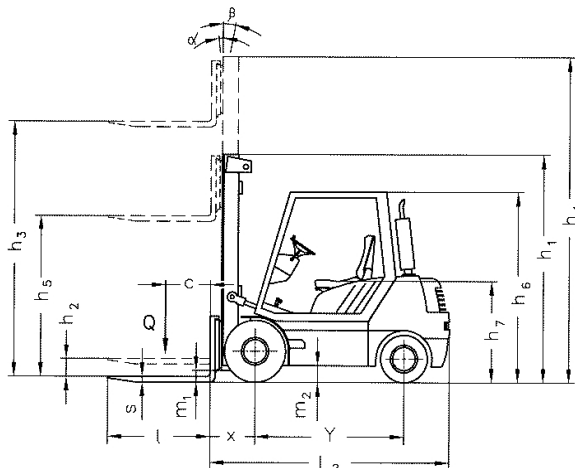
2) Recommended fork dimensions.

* Forklifts in accordance with BDS EN 1726-1.

* Other variants of specifications and characteristics are possible.

* Dimensions and parameters as shown are for reference only. They have been obtained under laboratory testing conditions. They could vary in accordance with the operation mode and the corresponding variants.

* Balkancar Rekord JSC reserves the right to introduce changes to the specifications and products without notice.



MAST				
TYPE	LIFT HEIGHT h_3	HEIGHT, MAST LOWERED h_1	HEIGHT, MAST EXTENDED h_4	FREE LIFT h_2/h_5

SIMPLEX – 5,0 t FORKLIFT

(Two masts, Free lift)

30 S	3000	2320	3815	60
40 S	4000	2820	4815	60

DUPLEX – 5,0 t FORKLIFT

(Two masts, Extended free lift)

30 D	3000	2290	3790	1500
------	------	------	------	------

TRIPLEX – 5,0 t FORKLIFT

(Three masts, Extended free lift)

42 T	4200	2100	4916	1400
45 T	4500	2240	5240	1500
48 T	4800	2340	5540	1600
52 T	5200	2490	5970	1740
56 T	5600	2590	6316	1850
64 T	6400	2840	7100	2130