

RECORD 2S

SPECIFICATION VDI 2198

		BALKANCAR RECORD JSC								
Characteristics	1	Manufacturer								
	2	Type	DV1786.30.221S DV1788.30.223S DV1792.30.223S DV1794.30.224S							
	3	Load capacity	Q	kg	2500	3000	3500	4000		
	4	Load center	C	Load center to fork face	mm	500				
	5	Drive unit	Battery / diesel / LPG			Diesel				
	6	Type of operation	Pedestrian / rider seated / stand-on			Rider seated				
	7	Tyres	L – pneumatic; SE – superelastic			L/L (SE/SE)				
	8	Wheels (x–driven)	Number, front/rear			2x / 2				
Dimensions	9		h_3	Lift height	mm	3000 ¹⁾				
	10	Lift	h_2	Free lift	mm	120 ¹⁾	95 ¹⁾			
	11		h_5	Extended free lift	mm	– ¹⁾				
	12	Fork carriage	According to DIN 15137			2A	3A			
	13	Fork dimensions	l	According to DIN 15137/ length	mm	2A / 1150 ²⁾	3A / 1150 ²⁾			
	14	Tilt angle	α/β	Forward / backward	(°)	5°±1° / 12°±1°				
	15	Overall dimensions	L_2	Length	mm	2630	2750	2800	2900	
	16		B	Width	mm	1200				
	17		h_1	Height, mast lowered	mm	2100 ¹⁾				
	18		h_4	Height, mast extended	mm	3545 ¹⁾	3585 ¹⁾			
	19		h_6	Height of overhead guard	mm	2220				
	20		h_7	Height of seat	mm	1120				
	21		Turning radius	W_a	Outer radius	mm	2350	2470	2500	2590
	22	Load distance	X	Front axle center to fork face	mm	468	498			
23	Aisle width	A_{st4}	For pallets 800x1200	mm	3895	3960	3990	4620		
			For pallets 1000x1200	mm	4095	4160	4190	4820		
Performance	24	Speed	Travel	with load/without load	km/h	20/20				
	25		Lifting	with load/without load	m/s	0,3/0,4				
	26		Lowering	with load/without load	m/s	0,5/0,4				
	27	Rated drawbar pull		With load	kN	18	16			
28	Climbing ability		With load/without load	%	24/25	22/24				
Weight	29	Weight	Including battery acc. to ISO 5053–87		kg	3740	4560	4730	5520	
	30	Axle load	With load	front/rear	kg	5520/720	6750/810	7330/900	8520/1000	
	31		Without load	front/rear	kg	1600/2140	2090/2470	2030/2700	2600/2920	
Chassis	32		Number, front/rear			2 / 2				
	33	Tyres	Size, front			7,00-12	8,15-15		250-15	
	34		Size, rear			6,00-9	6,50-10			
	35	Wheelbase	Y		mm	1650	1760		1830	
	36	Track width		Front/rear	mm	964/961	991/961		1050/961	
	37	Ground clearance	m_1	Lowest point with load	mm	120				
	38		m_2	Center of wheelbase with load	mm	170				
	39	Service brake	Mech./hydr./pneum./combined				Hydraulic			
	40	Parking brake	Hand/foot				Hand			
	Drive	41	Battery	Type			Starter			
42			Voltage/rated capacity		V/Ah	12 / 88				
43			Weight		kg	22				
44			Manufacturer, type (diesel/LPG)			DEUTZ D2011L04W (diesel)				
45		Internal combustion engine	Engine performance to DIN 70020		kW	47,5				
46			Rated speed to DIN70020		min ⁻¹	2600				
47			Number of cylinders/displacement		/ cm ³	4/3620				
48			Fuel consumption		l/h	3,5 (diesel)				
49		Transmission	Type, speeds (forward/backward)				Hydrodynamic 6860 S3, 1/1			
50		Clutch coupling	Type				Hydro transformer			
51	Working pressure	For attachments		MPa	14					
52	Noise level	Average value at operator's ear		dB(A)	85					

1) For other lift heights refer to MAST table.

Size h_4 does not include a load backrest. When a backrest is fitted add + 680 mm.

2) Recommended fork length.

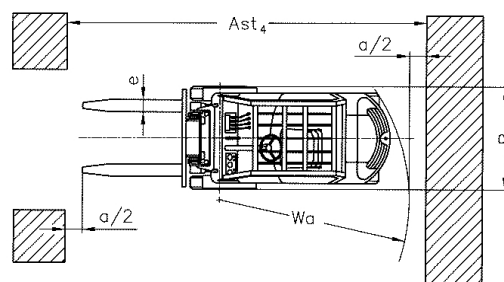
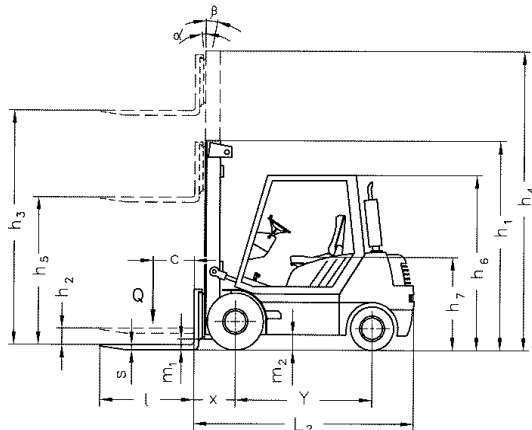
* Forklifts in accordance with BDS EN 1726-1.

* Other variants of specifications and characteristics are possible.

* Dimensions and parameters as shown are for reference only. They have been obtained under laboratory testing conditions. They could vary in accordance with the operation mode and the corresponding variants.

* Balkancar Rekord JSC reserves the right to introduce changes to the specifications and products without notice.

* The pictures and illustrations do not include all variants produced, additional equipment and accessories.



RECORD 2S

SPECIFICATION VDI 2198

		BALKANCAR RECORD JSC							
Characteristics	1	Manufacturer							
	2	Type	DV 1786.30.2MC S DV 1788.30.2MC S DV 1792.30.2MC S DV 1794.30.2MC S						
	3	Load capacity	Q	kg	2500	3000	3500	4000	
	4	Load center	C	Load center to fork face	mm	500			
	5	Drive unit	Battery / diesel / LPG			Diesel			
	6	Type of operation	Pedestrian / rider seated / stand-on			Rider seated			
	7	Tyres	L – pneumatic; SE – superelastic			L/L (SE/SE)			
	8	Wheels (x–driven)	Number, front/rear			2x / 2			
Dimensions	9	Lift	h ₃	Lift height	mm	3000 ¹⁾			
	10		h ₂	Free lift	mm	120 ¹⁾	95 ¹⁾		
	11		h ₅	Extended free lift	mm	– ¹⁾			
	12	Fork carriage	According to DIN 15137			2A	3A		
	13	Fork dimensions	s/e/l	Thickness / width / length	mm	40 x 100 x 1150 ²⁾	45 x 120 x 1150 ²⁾		
	14	Tilt angle	α/β	Forward / backward	(°)	5°±1° / 12°±1°			
	15	Overall dimensions	L ₂	Length	mm	2630	2750	2800	2900
	16		B	Width	mm	1200			
	17		h ₁	Height, mast lowered	mm	2100 ¹⁾			
	18		h ₄	Height, mast extended	mm	3545 ¹⁾	3585 ¹⁾		
	19		h ₆	Height of overhead guard	mm	2220			
	20		h ₇	Height of seat	mm	1120			
	21		Turning radius	Wa	Outer radius	mm	2350	2470	2500
	22	Load distance	X	Front axle center to fork face	mm	468	498		
23	Aisle width	Ast ₄	For pallets 800x1200 For pallets 1000x1200	mm	3895 4095	3960 4160	3990 4190	4620 4820	
Performance	24	Speed	Travel with load/without load		km/h	20/20			
	25		Lifting with load/without load		m/s	0,3/0,4			
	26		Lowering with load/without load		m/s	0,5/0,4			
	27	Rated drawbar pull	With load		kN	18	16		12
28	Climbing ability	With load/without load		%	24/25	22/24		20/22	
Weight	29	Weight	Including battery acc. to ISO 5053–87		kg	3740	4560	4730	5520
	30	Axle load	With load front/rear		kg	5520/720	6750/810	7330/900	8520/1000
	31		Without load front/rear		kg	1600/2140	2090/2470	2030/2700	2600/2920
Chassis	32	Number, front/rear			2 / 2				
	33	Tyres	Size, front			7,00-12	8,15-15		250-15
	34		Size, rear			6,00-9	6,50-10		
	35	Wheelbase	Y		mm	1650	1760		
	36	Track width	Front/rear		mm	964/961	991/961		1050/961
	37	Ground clearance	m ₁	Lowest point with load	mm	120			
	38		m ₂	Center of wheelbase with load	mm	170			
	39	Service brake	Mech./hydr./pneum./combined			Wet disk type			
40	Parking brake	Hand/foot			Hand				
Drive	41	Type			Starter				
	42	Battery	Voltage/rated capacity		V/Ah	12/88			
	43		Weight		kg	22			
	44		Manufacturer, type (diesel/LPG)		DEUTZ D2011L04W				
	45	Internal combustion engine	Engine performance to DIN 70020		kW	47,5			
	46		Rated speed to DIN70020		min ⁻¹	2600			
	47		Number of cylinders/displacement		/ cm ³	4/3620			
	48		Fuel consumption		l/h	3,5 (diesel)			
	49	Transmission	Type			Hydrodynamic			
	50		Speeds (forward/backward)			10DA, 1/1		10KC, 2/2	
51	Clutch coupling	Type			Hydro transformer				
51	Working pressure	For attachments		MPa	14				
52	Noise level	Average value at operator's ear		dB(A)	85				

1) For other lift heights refer to MAST table.

Size h₄ does not include a load backrest. When a backrest is fitted add + 680 mm.

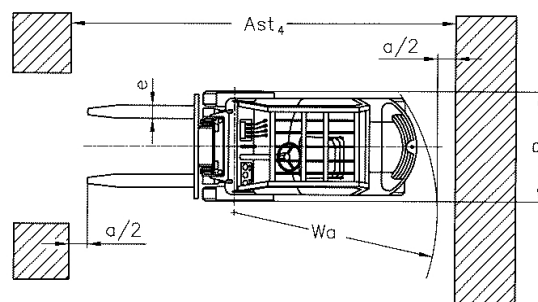
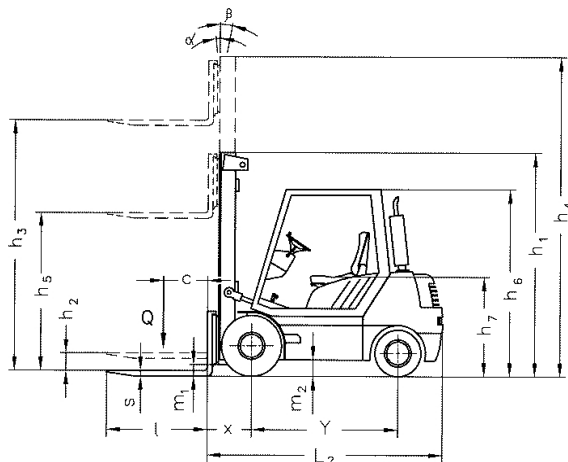
2) Recommended fork dimensions.

* Forklifts in accordance with BDS EN 1726-1.

* Other variants of specifications and characteristics are possible.

* Dimensions and parameters as shown are for reference only. They have been obtained under laboratory testing conditions. They could vary in accordance with the operation mode and the corresponding variants.

* Balkancar Rekord JSC reserves the right to introduce changes to the specifications and products without notice.



MAST

TYPE	LIFT HEIGHT h_3	HEIGHT, MAST LOWERED h_1	HEIGHT, MAST EXTENDED h_4	FREE LIFT h_2/h_5
------	----------------------	----------------------------------	-----------------------------------	------------------------

SIMPLEX – 2,5 t FORKLIFT

(Two masts, Free lift)

30 S	3000	2100	3545	120
40 S	4000	2590	4545	120

DUPLEX – 2,5 t FORKLIFT

(Two masts, Extended free lift)

30 D	3000	2100	3600	1500
------	------	------	------	------

TRIPLEX – 2,5 t FORKLIFT

(Three masts, Extended free lift)

42 T	4200	2100	4820	1360
45 T	4500	2240	5240	1500
48 T	4800	2310	5450	1570
52 T	5200	2440	5840	1700
56 T	5600	2590	6290	1850
64 T	6400	2840	7040	2100

SIMPLEX – 3,0/3,5/4,0 t FORKLIFT

(Two masts, Free lift)

30 S	3000	2100	3585	95
40 S	4000	2590	4545	95

DUPLEX – 3,0/3,5/4,0 t FORKLIFT

(Two masts, Extended free lift)

30 D	3000	2100	3630	1500
------	------	------	------	------

TRIPLEX – 3,0/3,5/4,0 t FORKLIFT

(Three masts, Extended free lift)

42 T	4200	2100	4920	1400
45 T	4500	2240	5240	1500
48 T	4800	2340	5540	1600
52 T	5200	2490	5970	1740
56 T	5600	2590	6320	1850
64 T	6400	2840	7100	2130