

RECORD 2S		SPECIFICATION VDI 2198						
Characteristics	1	Manufacturer	BALKANCAR RECORD JSC					
	2	Type		ДБ 1792.30.723S	ДБ 1794.30.724S			
	3	Load capacity	Q	kg	3500	4000		
	4	Load center	C	mm	500			
	5	Drive unit	Battery / diesel / LPG			Diesel		
	6	Type of operation	Pedestrian / rider seated / stand-on			Rider seated		
	7	Tyres	L – pneumatic; SE – superelastic			L/L (SE/SE)		
	8	Wheels (x–driven)	Number, front/rear			2x / 2		
Dimensions	9	Lift	h_3	Lift height	mm	3000 ¹⁾		
	10		h_2	Free lift	mm	95 ¹⁾		
	11		h_5	Extended free lift	mm	– ¹⁾		
	12	Fork carriage	According to DIN 15137			3A		
	13	Fork dimensions	l	According to DIN 15137/ length			3A / 1150 ²⁾	
	14	Tilt angle	α/β	Forward / backward		(°)	5°±1°/12°±1°	
	15	Overall dimensions	L_2	Length	mm	2850	2950	
	16		B	Width	mm	1200	1300	
	17		h_1	Height, mast lowered	mm	2100 ¹⁾		
	18		h_4	Height, mast extended	mm	3585 ¹⁾		
	19		h_6	Height of overhead guard	mm	2220		
	20		h_7	Height of seat	mm	1120		
	21		Turning radius	Wa	Outer radius	mm	2500	2590
	22	Load distance	X	Front axle center to fork face		mm	498	
23	Aisle width	Ast ₄	For pallets 800x1200 For pallets 1000x1200		mm	3990 4190	4620 4820	
Performance	24	Speed		Travel with load/without load	km/h	20 / 20		
	25			Lifting with load/without load	m/s	0,3 / 0,4		
	26			Lowering with load/without load	m/s	0,5 / 0,4		
	27	Rated drawbar pull		With load	kN	16	12	
28	Climbing ability		With load/without load	%	22 / 24	20 / 22		
Weight	29	Weight	Including battery acc. to ISO 5053–87		kg	5120	5620	
	30	Axle load		With load front/rear	kg	7720 / 900	8620 / 1000	
	31			Without load front/rear	kg	2200 / 2920	2600 / 3020	
Chassis	32	Tyres	Number, front/rear			2 / 2		
	33		Size, front			8,15-15	250-15	
	34		Size, rear			6,50-10		
	35	Wheelbase	Y		mm	1810	1880	
	36	Track width		Front/rear	mm	991 / 961	1050 / 961	
	37	Ground clearance	m_1	Lowest point with load		mm	120	
	38		m_2	Center of wheelbase with load		mm	170	
	39	Service brake	Mech./hydr./pneum./combined				Hydraulic	
	40	Parking brake	Hand/foot				Hand	
	Drive	41	Battery	Type			Starter	
42		Voltage/rated capacity		V/Ah	12/135			
43		Weight		kg	41			
44		Internal combustion engine	Manufacturer, type (diesel/LPG)			Д243-C		
45			Engine performance to DIN 70020		kW	60		
46			Rated speed to DIN70020		min ⁻¹	2200		
47			Number of cylinders/displacement		cm ³	4 / 4800		
48			Fuel consumption		l/h	3,8 (diesel)		
49			Transmission	Type, speeds (forward/backward)				Hydrodynamic – 6860.8 S3, 1/1
50		Clutch coupling	Type				Hydro transformer	
51	Working pressure	For attachments		MPa	14			
52	Noise level	Average value at operator's ear		dB(A)	85			

1) For other lift heights refer to MAST table.

Size h_4 does not include a load backrest. When a backrest is fitted add + 680 mm.

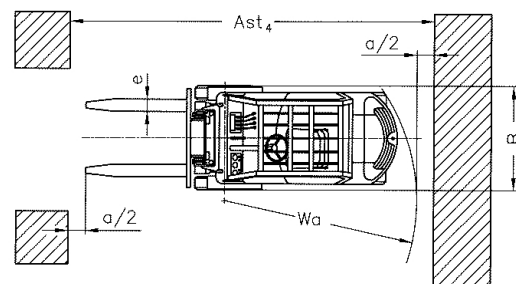
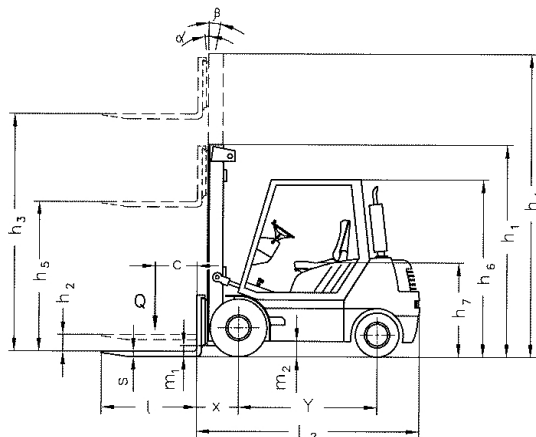
2) Recommended fork length.

* Forklifts in accordance with BDS EN 1726-1.

* Other variants of specifications and characteristics are possible.

* Dimensions and parameters as shown are for reference only. They have been obtained under laboratory testing conditions. They could vary in accordance with the operation mode and the corresponding variants.

* Balkancar Rekord JSC reserves the right to introduce changes to the specifications and products without notice.



MAST

TYPE	LIFT HEIGHT h_3	HEIGHT, MAST LOWERED h_1	HEIGHT, MAST EXTENDED h_4	FREE LIFT h_2/h_5
------	----------------------	----------------------------------	-----------------------------------	------------------------

SIMPLEX – 3,0/3,5/4,0 t FORKLIFT

(Two masts, Free lift)

30 S	3000	2100	3585	95
40 S	4000	2590	4545	95

DUPLEX – 3,5 / 4,0 t FORKLIFT

(Two masts, Extended free lift)

30 D	3000	2100	3630	1500
------	------	------	------	------

TRIPLEX – 3,5 / 4,0 t FORKLIFT

(Three masts, Extended free lift)

42 T	4200	2100	4920	1400
45 T	4500	2240	5240	1500
48 T	4800	2340	5540	1600
52 T	5200	2490	5970	1740
56 T	5600	2590	6320	1850
64 T	6400	2840	7100	2130