

RECORD 3S

SPECIFICATION VDI 2198

| RECORD 3S | | SPECIFICATION VDI 2198 | | | | | | |
|-----------------|------------------|----------------------------|---|---|--|--|-------------------------------|-------------------------|
| | | BALKANCAR RECORD JSC | | | | | | |
| Characteristics | 1 | Manufacturer | | | | | | |
| | 2 | Type | | | DV 1992.33.245S DV 1992.33.241S ¹⁾ | DV 1994.33.245S DV 1994.33.241S ¹⁾ | DV 1996.33.241S ¹⁾ | |
| | 3 | Load capacity | Q | kg | 6000 | 7000 | 8000 | |
| | 4 | Load center | C | Load center to fork face | mm | 600 | | |
| | 5 | Drive unit | Battery/diesel/LPG | | | Diesel | | |
| | 6 | Type of operation | Pedestrian/rider seated/stand-on | | | Rider seated | | |
| | 7 | Tyres | L – pneumatic; SE – superelastic | | | L/L (SE/SE) | | |
| | 8 | Wheels (x-driven) | Number, front/rear | | | 4x / 2 | | |
| Dimensions | 9 | Lift | h ₃ | Lift height | mm | 3300; 4000; 4500 | | |
| | 10 | | h ₂ | Free lift | mm | 120 | 120 | 0 |
| | 11 | | h ₅ | Extended free lift | mm | - | | |
| | 12 | Fork carriage | According to DIN 15137 | | | 4A | | |
| | 13 | Fork dimensions | l | According to DIN 15137 / length | mm | 4A / 1150 ²⁾ | | 4A / 1200 ²⁾ |
| | 14 | Tilt angle | α/β | Forward/backward | (°) | 5°±1° / 10°±1° | | |
| | 15 | Overall dimensions | L ₂ | Length | mm | 3450 | 3575 | |
| | 16 | | B | Width | mm | 2350 | | |
| | 17 | | h ₁ | Height, mast lowered | mm | 2677; 3027; 3277 | | |
| | 18 | | h ₄ | Height, mast extended | mm | 4377; 5077; 5577 | | |
| | 19 | | h ₆ | Height of overhead guard | mm | 2420 | | |
| | 20 | | h ₇ | Height of seat | mm | 1400 | | |
| | 21 | | Turning radius | Wa | Outer radius | mm | 4100 | 4250 |
| | 22 | Load distance | X | Front axle center to fork face | mm | 615 | 640 | |
| 23 | Aisle width | Ast ₄ | For pallets 800x1200 For pallets 1000x1200 | mm | 4750 4950 | 4850 | 5050 | |
| Performance | 24 | Speed | | Travel with load/without load | km/h | I – 10, II – 20 | | |
| | 25 | | | Lifting with load/without load | m/s | 0,3 / 0,4 | | |
| | 26 | | | Lowering with load/without load | m/s | 0,3 / 0,4 | | |
| | 27 | Rated drawbar pull | | With load | kN | I – 40, II – 28 | | |
| 28 | Climbing ability | | With load/without load | % | I – 28/32 | | | |
| Weight | 29 | Weight | | Including battery acc. to ISO 5053 – 87 | kg | 9230 | 10130 | 11030 |
| | 30 | Axle load | | With load front/rear | kg | 13560/1670 | 15360/1770 | 16620/2410 |
| | 31 | | | Without load front/rear | kg | 2600/6630 | 3600/6530 | 4500/6530 |
| Chassis | 32 | Tyres | | Number, front/rear | | 4 / 2 | | |
| | 33 | | | Size, front | | 8,25-15 | | |
| | 34 | | | Size, rear | | 8,15-15 | | |
| | 35 | Wheelbase | Y | mm | 2250 | 2350 | | |
| | 36 | Track width | | Front/rear | mm | 1800/1400 | | |
| | 37 | Ground clearance | m ₁ | Lowest point with load | mm | 200 | | |
| | 38 | | m ₂ | Center of wheelbase with load | mm | 245 | | |
| | 39 | Service brake | | Mech./hydr./pneum./combined | | Hydraulic | | |
| 40 | Parking brake | | Hand/foot | | Hand | | | |
| Drive | 41 | Battery | | Type | | Starter | | |
| | 42 | | | Voltage/rated capacity | V/Ah | 12 / 140 | | |
| | 43 | | | Weight | kg | 37 | | |
| | 44 | Internal combustion engine | | Manufacturer, type | | DEUTZ BF 04 M 2012 | | |
| | 45 | | | Engine performance to DIN 70020 | kW | 70 | | |
| | 46 | | | Rated speed to DIN70020 | min ⁻¹ | 2200 | | |
| | 47 | | | Number of cylinders/displacement | cm ³ | 4/4038 | | |
| | 48 | | | Fuel consumption | l/h | 5 (diesel) | | |
| | 49 | | Transmission | | Type, speeds (forward/backward) | | Hydrodynamic 6870, 2/1 | |
| | 50 | Clutch coupling | | Type | | Hydro transformer | | |
| 51 | Working pressure | | For attachments | MPa | 14 | | | |
| 52 | Noise level | | Average value at operator ² ear | dB(A) | 85 | | | |

1) Forklifts with drive axle "DANA".

2) Recommended fork length.

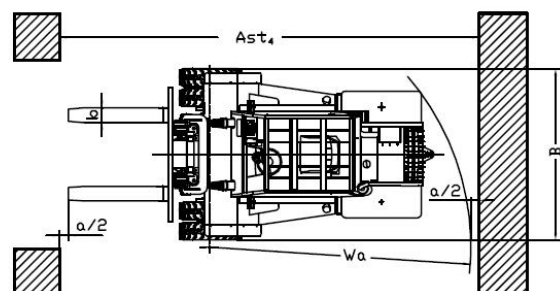
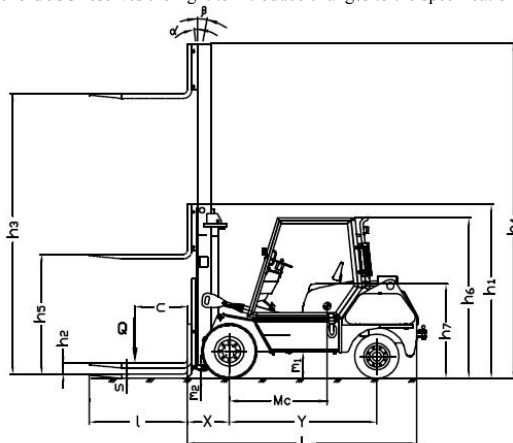
* Forklifts in accordance with BDS EN 1726-1.

* Size h₄ does not include a load backrest. When a backrest is fitted add + 680 mm.

* Other variants of specifications and characteristics are possible.

* Dimensions and parameters as shown are for reference only. They have been obtained under laboratory testing conditions. They could vary in accordance with the operation mode and the corresponding variants.

* Balkancar Rekord JSC reserves the right to introduce changes to the specifications and products without notice.



RECORD 3S

SPECIFICATION VDI 2198

| RECORD 3S | | SPECIFICATION VDI 2198 | | | | | | |
|-----------------|------------------|--|---|--------------------------------|-------------------|-------------------------|-----------------|-------------------------|
| | | BALKANCAR RECORD JSC | | | | | | |
| Characteristics | 1 | Manufacturer | | | | | | |
| | 2 | Type | | | | | | |
| | 3 | Load capacity | Q | kg | DV 1992.33.271S | DV 1994.33.271S | DV 1996.33.271S | |
| | 4 | Load center | C | mm | 6000 | 7000 | 8000 | |
| | 5 | Drive unit | Battery/diesel/LPG | | | | | |
| | 6 | Type of operation | Pedestrian/rider seated/stand-on | | | | | |
| | 7 | Tyres | L – pneumatic; SE – superelastic | | | | | |
| | 8 | Wheels (x–driven) | Number, front/rear | | | | | |
| Dimensions | 9 | Lift | h_3 | Lift height | mm | 3300; 4000; 4500 | | |
| | 10 | | h_2 | Free lift | mm | 120 | 120 | 0 |
| | 11 | | h_5 | Extended free lift | mm | - | | |
| | 12 | Fork carriage | According to DIN 15137 | | | 4A | | |
| | 13 | Fork dimensions | According to DIN 15137 / length | | | 4A / 1150 ¹⁾ | | 4A / 1200 ¹⁾ |
| | 14 | Tilt angle | α/β | Forward/backward | (°) | 5°±1° / 10°±1° | | |
| | 15 | Overall dimensions | L_2 | Length | mm | 3450 | | 3575 |
| | 16 | | B | Width | mm | 2350 | | |
| | 17 | | h_1 | Height, mast lowered | mm | 2677; 3027; 3277 | | |
| | 18 | | h_4 | Height, mast extended | mm | 4377; 5077; 5577 | | |
| | 19 | | h_6 | Height of overhead guard | mm | 2420 | | |
| | 20 | | h_7 | Height of seat | mm | 1400 | | |
| | 21 | | Turning radius | W_a | Outer radius | mm | 4100 | 4250 |
| | 22 | Load distance | X | Front axle center to fork face | mm | 615 | 640 | |
| 23 | Aisle width | Ast_4 | For pallets 800x1200 | mm | 4750 | | 4850 | |
| | | | For pallets 1000x1200 | mm | 4950 | | 5050 | |
| Performance | 24 | Speed | Travel with load/without load | | km/h | I – 10, II – 20 | | |
| | 25 | | Lifting with load/without load | | m/s | 0,3 / 0,4 | | |
| | 26 | | Lowering with load/without load | | m/s | 0,3 / 0,4 | | |
| | 27 | Rated drawbar pull | With load | | kN | I – 40, II – 28 | | |
| 28 | Climbing ability | With load/without load | | % | I – 28/32 | | | |
| Weight | 29 | Weight | Including battery acc. to ISO 5053 – 87 | | kg | 9230 | 10130 | |
| | 30 | Axle load | With load front/rear | | kg | 13560/1670 | 15360/1770 | |
| | 31 | | Without load front/rear | | kg | 2600/6630 | 3600/6530 | |
| Chassis | 32 | Tyres | Number, front/rear | | | 4 / 2 | | |
| | 33 | | Size, front | | | 8,25-15 | | |
| | 34 | | Size, rear | | | 8,15-15 | | |
| | 35 | Wheelbase | Y | mm | 2250 | | 2350 | |
| | 36 | Track width | Front/rear | | mm | 1800/1400 | | |
| | 37 | Ground clearance | m_1 | Lowest point with load | mm | 200 | | |
| | 38 | | m_2 | Center of wheelbase with load | mm | 245 | | |
| 39 | Service brake | Mech./hydr./pneum./combined | | | | Hydraulic | | |
| 40 | Parking brake | Hand/foot | | | | Hand | | |
| Drive | 41 | Battery | Type | | | Starter | | |
| | 42 | | Voltage/rated capacity | | V/Ah | 12 / 135 | | |
| | 43 | | Weight | | kg | 41 | | |
| | 44 | Internal combustion engine | Manufacturer, type | | | DEUTZ BF 04 M 2012 | | |
| | 45 | | Engine performance to DIN 70020 | | kW | 70 | | |
| | 46 | | Rated speed to DIN70020 | | min ⁻¹ | 2200 | | |
| | 47 | | Number of cylinders/displacement | | cm ³ | 4/4038 | | |
| | 48 | | Fuel consumption | | l/h | 5 (diesel) | | |
| | 49 | Transmission | Type, speeds (forward/backward) | | | Hydrodynamic PST2, 2/2 | | |
| | 50 | Clutch coupling | Type | | | Hydro transformer | | |
| 51 | Working pressure | For attachments | | MPa | 14 | | | |
| 52 | Noise level | Average value at operator ² ear | | dB(A) | 85 | | | |

1) Recommended fork length.

* Forklifts in accordance with BDS EN 1726-1.

* Size h_4 does not include a load backrest. When a backrest is fitted add + 680 mm.

* Other variants of specifications and characteristics are possible.

* Dimensions and parameters as shown are for reference only. They have been obtained under laboratory testing conditions. They could vary in accordance with the operation mode and the corresponding variants.

* Balkancar Rekord JSC reserves the right to introduce changes to the specifications and products without notice.

