

| ELECTRIC FORKLIFT                    |                          |                                      | SPECIFICATION VDI 2198                        |                               |                         |                    |
|--------------------------------------|--------------------------|--------------------------------------|-----------------------------------------------|-------------------------------|-------------------------|--------------------|
| Characteristics                      | 1                        | Manufacturer                         | BALKANCAR RECORD                              |                               |                         |                    |
|                                      | 2                        | Type                                 |                                               |                               | ER 630.30.222 S         | ER 634.30.242 S    |
|                                      | 3                        | Load capacity                        | Q                                             | kg                            | 1250                    | 1600               |
|                                      | 4                        | Load center                          | C                                             | mm                            | 500                     |                    |
|                                      | 5                        | Drive unit                           | Battery/diesel/LPG                            |                               |                         |                    |
|                                      | 6                        | Type of operation                    | Pedestrian/rider seated/stand-on              |                               |                         |                    |
|                                      | 7                        | Tyres                                | L – pneumatic; SE – superelastic              |                               |                         |                    |
|                                      | 8                        | Wheels (x–driven)                    | Number, front/rear                            |                               |                         |                    |
| Dimensions                           | 9                        | Lift                                 | $h_3$                                         | Lift height                   | mm                      | 3000 <sup>1)</sup> |
|                                      | 10                       |                                      | $h_2$                                         | Free lift                     | mm                      | 90 <sup>1)</sup>   |
|                                      | 11                       |                                      | $h_5$                                         | Extended free lift            | mm                      | - <sup>1)</sup>    |
|                                      | 12                       | Fork carriage                        | According to DIN 15137                        |                               |                         |                    |
|                                      | 13                       | Fork dimensions                      | l                                             | mm                            | 2A / 1150 <sup>2)</sup> |                    |
|                                      | 14                       | Tilt angle                           | $\alpha/\beta$                                | (°)                           | 4°±1°/8°±1°             |                    |
|                                      | 15                       | Overall dimensions                   | $L_2$                                         | Length                        | mm                      | 1938               |
|                                      | 16                       |                                      | B                                             | Width                         | mm                      | 995                |
|                                      | 17                       |                                      | $h_1$                                         | Height, mast lowered          | mm                      | 2080 <sup>1)</sup> |
|                                      | 18                       |                                      | $h_4$                                         | Height, mast extended         | mm                      | 3535 <sup>1)</sup> |
|                                      | 19                       |                                      | $h_6$                                         | Height of overhead guard      | mm                      | 2065               |
|                                      | 20                       |                                      | $h_7$                                         | Height of seat                | mm                      | 1050               |
|                                      | 21                       |                                      | Turning radius                                | Wa                            | mm                      | 1750               |
| 22                                   | Load distance            | X                                    | mm                                            | 358                           |                         |                    |
| 23                                   | Aisle width              | Ast4                                 | For pallets 800x1200                          | 3450                          |                         |                    |
|                                      |                          |                                      | For pallets 1000x1200                         | 3650                          |                         |                    |
| Performance                          | 24                       | Speed                                | Travel with load/without load                 | km/h                          | 11/13                   |                    |
|                                      |                          |                                      | Lifting with load/without load                | m/s                           | 0,23/0,28               |                    |
|                                      |                          |                                      | Lowering with load/without load               | m/s                           | 0,4/0,3                 |                    |
|                                      | 27                       | Rated drawbar pull                   | With load $S_2$ – 60 min                      | kN                            | 1,7                     |                    |
|                                      | 28                       | Maximum drawbar pull                 | With load $S_2$ – 5 min                       | kN                            | 8,4                     |                    |
|                                      | 29                       | Climbing ability                     | With load/without load $S_2$ – 30 min         | %                             | 4/8                     |                    |
| With load/without load $S_2$ – 5 min |                          |                                      | %                                             | 10/14                         |                         |                    |
| 30                                   | Maximum climbing ability | With load/without load $S_2$ – 1 min | %                                             | 20/24                         |                         |                    |
| Weight                               | 31                       | Weight                               | Including battery acc. to ISO 5053 – 87       | kg                            | 2680                    | 3000               |
|                                      | 32                       | Axle load                            | With load front/rear                          | kg                            | 3370/560                | 4190/410           |
|                                      |                          |                                      | Without load front/rear                       | kg                            | 1320/1360               | 1440/1560          |
| Chassis                              | 34                       | Tyres                                | Number, front/rear                            |                               | 2/2                     |                    |
|                                      | 35                       |                                      | Size, front                                   |                               | 18 x 7 – 8              |                    |
|                                      | 36                       |                                      | Size, rear                                    |                               | 16 x 6 – 8 (4.00-8)     |                    |
|                                      | 37                       | Wheelbase                            | Y                                             | mm                            | 1280                    |                    |
|                                      | 38                       | Track width                          |                                               | mm                            | 821/774                 |                    |
|                                      | 39                       | Ground clearance                     | $m_1$                                         | Lowest point with load        | mm                      | 80                 |
|                                      | 40                       |                                      | $m_2$                                         | Center of wheelbase with load | mm                      | 104                |
|                                      | 41                       | Service brake                        | Mech./hydr./pneum./combined                   |                               |                         | Hydraulic          |
| 42                                   | Parking brake            | Hand/foot                            |                                               |                               | Hand                    |                    |
| Drive                                | 43                       | Battery                              | Type                                          |                               | Panzer                  |                    |
|                                      |                          |                                      | Voltage/rated capacity (after 5 hour of work) | V/Ah                          | 48/400                  | 48/480             |
|                                      |                          |                                      | Weight                                        | kg                            | 755                     | 950                |
|                                      | 46                       | Electric motors                      | Drive motor performance at $S_2$ – 60 min     |                               | 7kW / "AMRE"            |                    |
|                                      |                          |                                      | Lift motor performance at $S_4$ – 25%         |                               | 9kW / "AMRE"            |                    |
| 48                                   | Drive control            | Type                                 |                                               |                               | Impulse regulator       |                    |
| 49                                   | Working pressure         | For attachments                      |                                               | MPa                           | 14                      |                    |
| 50                                   | Noise level              | Average value at operator's ear      |                                               | dB(A)                         | 70...72                 |                    |

1) For other lift heights refer to MAST table.

Size  $h_4$  does not include a load backrest. When a backrest is fitted add + 680 mm.

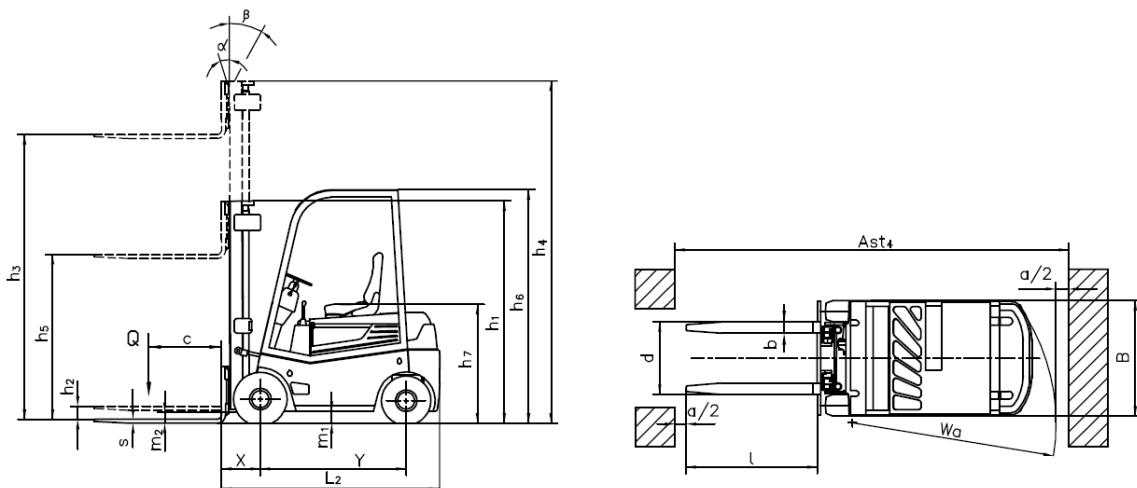
2) Recommended fork length.

\* Electric forklifts in accordance with BDS EN 1726-1.

\* Other variants of specifications, characteristics and batteries are possible.

\* Dimensions and parameters as shown are for reference only. They have been obtained under laboratory testing conditions. They could vary in accordance with the operation mode and the corresponding variance.

\* Balkancar Rekord JSC reserves the right to introduce changes to the specifications and products without notice.



| <b>MAST</b> |                                      |                                               |                                                |                                                    |
|-------------|--------------------------------------|-----------------------------------------------|------------------------------------------------|----------------------------------------------------|
| <b>TYPE</b> | <b>LIFT HEIGHT</b><br>h <sub>3</sub> | <b>HEIGHT, MAST LOWERED</b><br>h <sub>1</sub> | <b>HEIGHT, MAST EXTENDED</b><br>h <sub>4</sub> | <b>FREE LIFT</b><br>h <sub>2</sub> /h <sub>5</sub> |

**SIMPLEX - 1,25; 1,6 t ELECTRIC FORKLIFT**  
(Two masts, Free lift)

|             |             |             |             |           |
|-------------|-------------|-------------|-------------|-----------|
| <b>30 S</b> | <b>3000</b> | <b>2080</b> | <b>3535</b> | <b>90</b> |
| <b>40 S</b> | <b>4000</b> | <b>2570</b> | <b>4525</b> | <b>90</b> |

**DUPLEX - 1,25; 1,6 t ELECTRIC FORKLIFT**  
(Two masts, Extended free lift)

|             |             |             |             |             |
|-------------|-------------|-------------|-------------|-------------|
| <b>30 D</b> | <b>3000</b> | <b>2080</b> | <b>3580</b> | <b>1500</b> |
|-------------|-------------|-------------|-------------|-------------|

**TRIPLEX - 1,25; 1,6 t ELECTRIC FORKLIFT**  
(Three masts, Extended free lift)

|             |             |             |             |             |
|-------------|-------------|-------------|-------------|-------------|
| <b>42 T</b> | <b>4200</b> | <b>1970</b> | <b>4770</b> | <b>1400</b> |
| <b>45 T</b> | <b>4500</b> | <b>2070</b> | <b>5070</b> | <b>1500</b> |
| <b>50 T</b> | <b>5000</b> | <b>2220</b> | <b>5520</b> | <b>1660</b> |
| <b>54 T</b> | <b>5400</b> | <b>2370</b> | <b>5970</b> | <b>1800</b> |
| <b>60 T</b> | <b>6000</b> | <b>2570</b> | <b>6570</b> | <b>2000</b> |