

ELECTRIC REACH TRUCK			SPECIFICATION VDI 2198				
Characteristics	1	Manufacturer	BALKANCAR RECORD				
	2	Type			ERR631.42.225T	ERR634.42.225T	
	3	Load capacity	Q	kg	1400	1600	
	4	Load center	C	mm	1400	1600	
	5	Drive unit			Battery		
	6	Type of operation			Rider seated		
	7	Tyres			V / V		
	8	Wheels (x-driven)			2 / 1 x		
Dimensions	9	Lift	$h_3$	Lift height	mm	4200	
	10		$h_2$	Free lift	mm	-	
	11		$h_5$	Extended free lift	mm	1480	
	12	Fork carriage		According to DIN 15137		2A	
	13	Fork dimensions	s/e/l	Thickness/width/length	mm	40 x 80 x 1150 <sup>1)</sup>	
	14	Tilt angle	$\alpha/\beta$	Forward/backward	(°)	2°±1°/ 3°±1°	
	15	Overall dimensions	$l_2$	Length to fork face	mm	1240	
	16		$l_1$	Overall length	mm	2390	
	17		$l_4$	Reach travel	mm	500	
	18		$l_7$	Length of chassis	mm	1690	
	19		B	Width	mm	1285	
	20		$h_1$	Height, mast lowered	mm	2100	
	21		$h_4$	Height, mast extended	mm	4820	
	22	$h_6$	Height of overhead guard	mm	2145		
	23	$h_7$	Height of seat	mm	960		
	24	Turning radius	$W_a$	Outer radius	mm	1650	
	25	Load distance	$X_1$	Load distance center of load wheel to face fork	mm	272	
26	$X_2$		Load distance center of load wheel to face fork	mm	228		
27	Aisle width	$Ast_4$	For pallets 800x1200	mm	2800		
Performance	28	Speed		Travel with load/without load	km/h	9 / 10	
	29			Lifting with load/without load	m/s	0,23 / 0,28	
	30			Lowering with load/without load	m/s	0,3 / 0,4	
	31			Reach speed with/without load	m/s	0,1 / 0,1	
32	Climbing ability		With load	%	10 / 12		
Weight	33	Weight		Including battery acc. to ISO 5053 – 87	kg	3245	3325
	34			Without load, drive/support	kg	1924/2x660	2004/2x660
	35	Axle load		Fork outreached with load, drive/support	kg	585/2x2165	530/2x2165
	36			Fork retracted with load, drive/support	kg	1650/2x1485	1660/2x1615
Chassis	37	Tyres		Number, front/rear		2 / 1	
	38			Size, front (DxB)		285 x 100	
	39			Size, rear (DxB)		305 x 140	
	40	Wheelbase	Y	mm	1330		
	41	Track width		Front	mm	1160	
	42	Ground clearance	$m_1$	Lowest point with load	mm	65	
	43		$m_2$	Center of wheelbase with load	mm	65	
44	Service brake			Mech./hydr./pneum./combined		Hydraulic	
45	Parking brake			Hand		Electromagnetic	
Drive	46	Battery		Type		Panzer	
	47			Voltage/rated capacity (after 5 hour of work)	V/Ah	48/420	
	48			Weight	kg	590	
	49	Electric motors		Drive motor performance ( $S_2 - 60$ min)	kW	5	
	50			Lift motor performance ( $S_4 - 25\%$ )	kW	9	
51	Drive control			Type		Impulse regulator	
52	Working pressure		For attachments	MPa	14		
53	Noise level		Average value at operator's ear	dB(A)	70...72		

1) Recommended fork dimensions

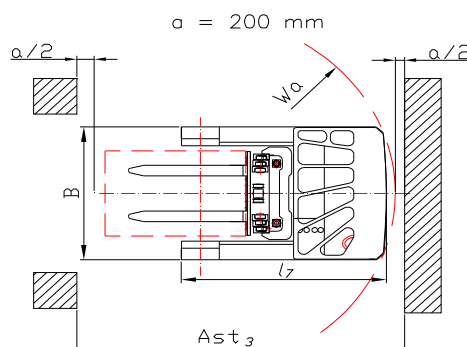
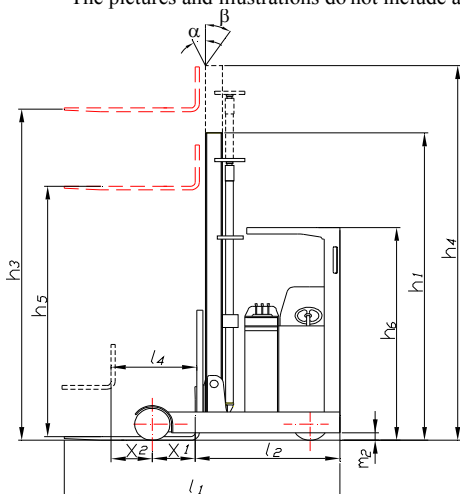
\* Electric forklifts in accordance with BDS EN 1726-1

\* Other variants of specifications, characteristics and batteries are possible.

\* Dimensions and parameters as shown are for reference only. They have been obtained under laboratory testing conditions. They could vary in accordance with the operation mode and the corresponding variants.

\* Balkancar Rekord JSC reserves the right to introduce changes to the specifications and products without notice.

\* The pictures and illustrations do not include all variants produced, additional equipment and accessories.



**balkancar RECORD**

“Kuklensko shosse” Str. N 17  
Plovdiv 4004, Bulgaria  
Fax: + 359 32 692 753  
Тел.: + 359 32 695 050  
[www.balkancar-record.com](http://www.balkancar-record.com)

<b>MAST</b>				
TYPE	LIFT HEIGHT $h_3$	HEIGHT, MAST LOWERED $h_1$	HEIGHT, MAST EXTENDED $h_4$	FREE LIFT $h_2/h_5$

TRIPLEX – 1,4 t ELECTRIC REACH TRUCK  
(Three masts, Extended free lift)

42 T	4200	2100	4820	1480
45 T	4500	2240	5240	1600
48 T	4800	2310	5450	1660
52 T	5200	2440	5840	1800
56 T	5600	2590	6290	1940
64 T	6400	2840	7040	2200

TRIPLEX – 1,6 t ELECTRIC REACH TRUCK  
(Three masts, Extended free lift)

42 T	4200	2100	4820	1480
45 T	4500	2240	5240	1600
48 T	4800	2310	5450	1660
52 T	5200	2440	5840	1800
56 T	5600	2590	6290	1940