

ELECTRIC FORKLIFT			SPECIFICATION		
			BALKANCAR RECORD		
1	Manufacturer			AC/ER 630.30 S	AC/ER 634.30 S
2	Type			1250	1600
3	Load capacity	Q	kg	1250	1600
4	Load center	C	Load center to fork face	500	
5	Drive unit		Battery/diesel/LPG	Battery	
6	Type of operation		Pedestrian/rider seated/stand-on	Rider seated	
7	Lift	$h_3$	Lift height	3000 <sup>1)</sup>	
8	Overall dimensions	$L_2$	Length	1938	
9		B	Width	995	
10		$h_6$	Height of overhead guard	2065	
11	Drive control		Type	Impulse regulator	

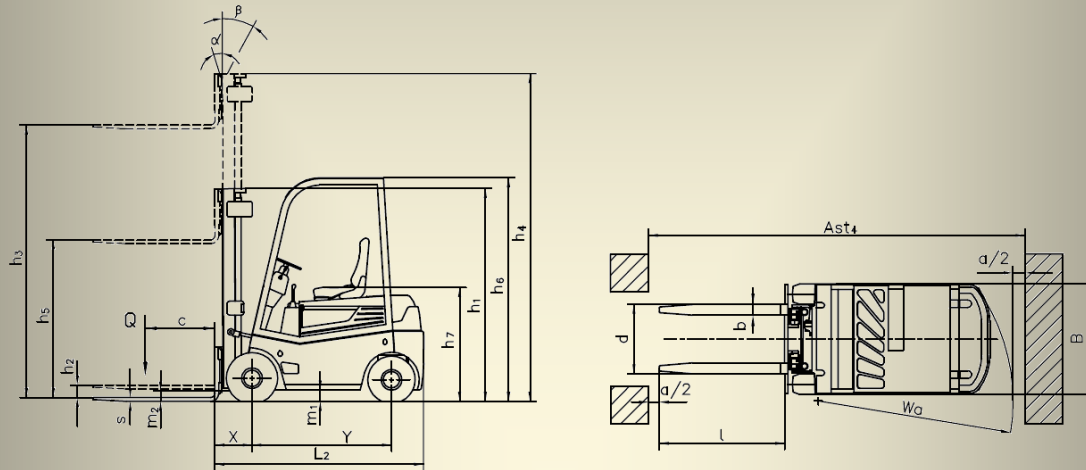
1) For other lift heights refer to MAST table. Size  $h_4$  does not include a load backrest. When a backrest is fitted add + 680 mm.

\* Electric forklifts in accordance with BDS EN 1726-1.

\* Other variants of specifications, characteristics and batteries are possible.

\* Dimensions and parameters as shown are for reference only. They have been obtained under laboratory testing conditions. They could vary in accordance with the operation mode and the corresponding variants.

\* Balkancar Rekord JSC reserves the right to introduce changes to the specifications and products without notice.



MAST				
TYPE	LIFT HEIGHT $h_3$	HEIGHT, MAST LOWERED $h_1$	HEIGHT, MAST EXTENDED $h_4$	FREE LIFT $h_2/h_5$

**SIMPLEX - 1,25; 1,6 t ELECTRIC FORKLIFT**  
(Two masts, Free lift)

30 S	3000	2080	3535	90
40 S	4000	2570	4525	90

**DUPLEX - 1,25; 1,6 t ELECTRIC FORKLIFT**  
(Two masts, Extended free lift)

30 D	3000	2080	3580	1500
------	------	------	------	------

**TRIPLEX - 1,25; 1,6 t ELECTRIC FORKLIFT**  
(Three masts, Extended free lift)

42 T	4200	1970	4770	1400
45 T	4500	2070	5070	1500
50 T	5000	2220	5520	1660
54 T	5400	2370	5970	1800
60 T	6000	2570	6570	2000