

ELECTRIC FORKLIFT			SPECIFICATION			
1	Manufacturer		BALKANCAR RECORD			
2	Type			ER 630.30 S	ER 634.30 S	
3	Load capacity	Q	kg	1250	1600	
4	Load center	C	Load center to fork face	mm	500	
5	Drive unit		Battery/diesel/LPG		Battery	
6	Type of operation		Pedestrian/rider seated/stand-on		Rider seated	
7	Lift	$h_3$	Lift height	mm	3000 <sup>1)</sup>	
8	Overall dimensions	$L_2$	Length	mm	1938	
9		B	Width	mm	995	
10		$h_6$	Height of overhead guard	mm	2065	
11	Drive control		Type		Impulse regulator	

1) For other lift heights refer to MAST table.

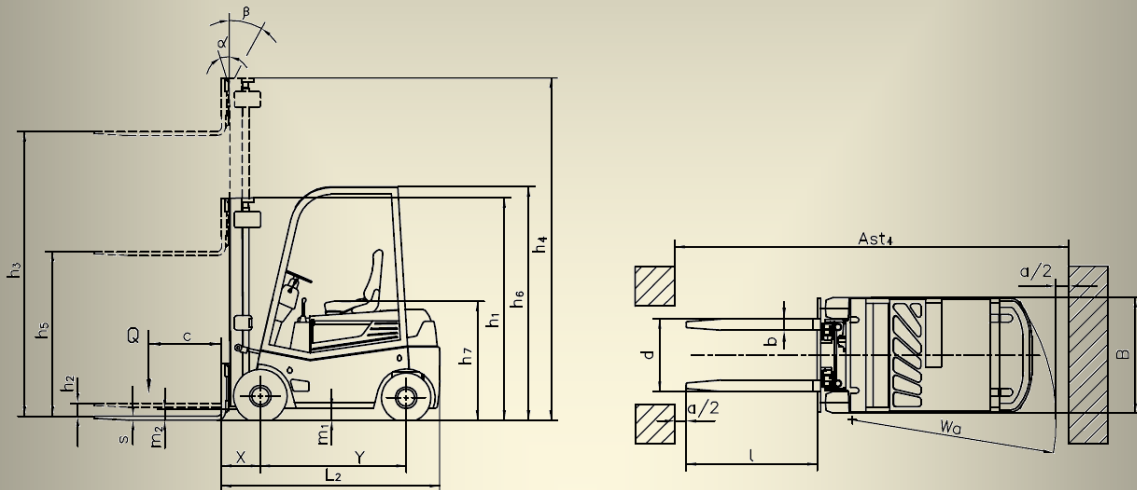
Size  $h_4$  does not include a load backrest. When a backrest is fitted add + 680 mm.

\* Electric forklifts in accordance with BDS EN 1726-1.

\* Other variants of specifications, characteristics and batteries are possible.

\* Dimensions and parameters as shown are for reference only. They have been obtained under laboratory testing conditions. They could vary in accordance with the operation mode and the corresponding variants.

\* Balkancar Rekord JSC reserves the right to introduce changes to the specifications and products without notice.



MAST				
TYPE	LIFT HEIGHT	HEIGHT, MAST LOWERED	HEIGHT, MAST EXTENDED	FREE LIFT
	$h_3$	$h_1$	$h_4$	$h_2/h_5$

#### SIMPLEX - 1,25; 1,6 t ELECTRIC FORKLIFT

(Two masts, Free lift)

30 S	3000	2080	3535	90
40 S	4000	2570	4525	90

#### DUPLEX - 1,25; 1,6 t ELECTRIC FORKLIFT

(Two masts, Extended free lift)

30 D	3000	2080	3580	1500
------	------	------	------	------

#### TRIPLEX - 1,25; 1,6 t ELECTRIC FORKLIFT

(Three masts, Extended free lift)

42 T	4200	1970	4770	1400
45 T	4500	2070	5070	1500
50 T	5000	2220	5520	1660
54 T	5400	2370	5970	1800
60 T	6000	2570	6570	2000