

ELECTRIC FORKLIFT			SPECIFICATION			
1	Manufacturer	BALKANCAR RECORD JSC				
2	Type			ER 638.30 S	ER 640.30 S	
3	Load capacity	Q	kg	2000	2500	
4	Load center	C	Load center to fork face	mm	500	
5	Drive unit	Battery/diesel/LPG			Battery	
6	Type of operation	Pedestrian/Rider seated/Stand-on			Rider seated	
7	Lift	h_3	Lift height	mm	3000 ¹⁾	
8	Overall dimensions	L_2	Length	mm	2210	2250
9		B	Width	mm	1140	
10		h_6	Height of overhead guard	mm	2165	
11	Drive control	Type			Impulse regulator	

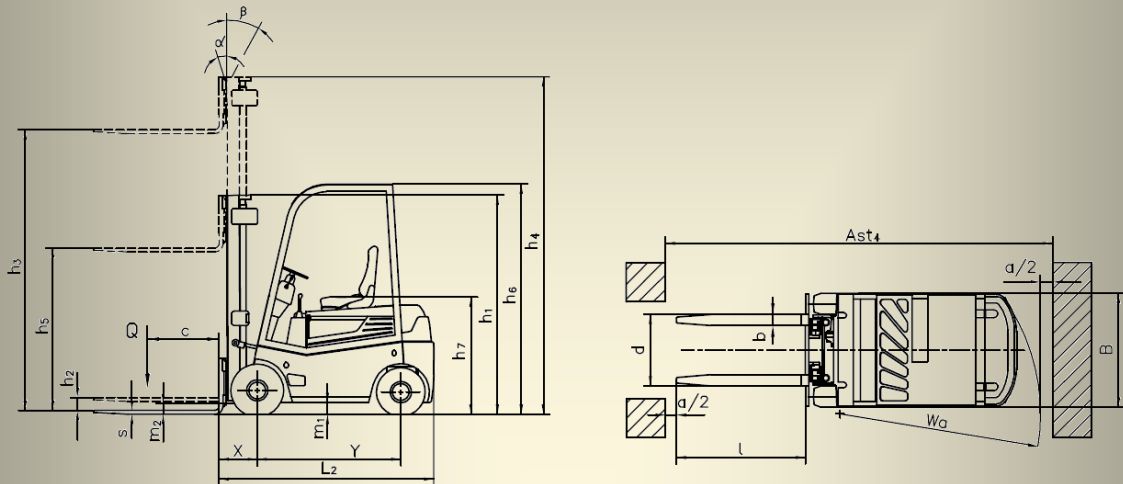
1) For other lift heights refer to MAST table. Size h_4 does not include a load backrest. When a backrest is fitted add + 680 mm.

* Electric forklifts in accordance with BDS EN 1726-1.

* Other variants of specifications, characteristics and batteries are possible.

* Dimensions and parameters as shown are for reference only. They have been obtained under laboratory testing conditions. They could vary in accordance with the operation mode and the corresponding variants.

* Balkancar Rekord JSC reserves the right to introduce changes to the specifications and products without notice.



MAST				
TYPE	LIFT HEIGHT h_3	HEIGHT, MAST LOWERED h_1	HEIGHT, MAST EXTENDED h_4	FREE LIFT h_2/h_5

SIMPLEX - 2,0; 2,5 t ELECTRIC FORKLIFT
(Two masts, Free lift)

30 S	3000	2100	3580	70
40 S	4000	2590	4570	70

DUPLEX - 2,0; 2,5 t ELECTRIC FORKLIFT
(Two masts, Extended free lift)

30 D	3000	2100	3600	1500
------	------	------	------	------

TRIPLEX - 2,0; 2,5 t ELECTRIC FORKLIFT
(Three masts, Extended free lift)

42 T	4200	2070	4790	1480
45 T	4500	2220	5220	1600
50 T	5000	2370	5670	1740
54 T	5400	2470	5990	1880
60 T	6000	2670	6590	2080