

RECORD 2E

SPECIFICATION VDI 2198

		BALKANCAR RECORD JSC						
Characteristics	1	Manufacturer						
	2	Type		GV 3786.30.5MC E CNG	GV 3788.30.5MC E CNG	GV 3792.30.5MC E CNG		
	3	Load capacity	Q	kg	2500	3000	3500	
	4	Load center	C	Load center to fork face	mm	500		
	5	Drive unit		Battery/diesel/LPG		gas (CNG) / gazoline		
	6	Type of operation		Pedestrian/rider seated/stand-on		Rider seated		
	7	Tyres		L – pneumatic; SE – superelastic		L/L (SE/SE)		
	8	Wheels (x–driven)		Number, front/rear		2x / 2		
Dimensions	9	Lift	h ₃	Lift height	mm	3000 ¹⁾		
	10		h ₂	Free lift	mm	96 ¹⁾		
	11		h ₅	Extended free lift	mm	- ¹⁾		
	12	Fork carriage		According to DIN 15137		2A	3A	
	13	Fork dimensions	l	According to DIN 15137 / length	mm	2A / 1150 ²⁾	3A / 1150 ²⁾	
	14	Tilt angle	α/β	Forward/backward	(°)	5°±1°/10°±1°		
	15	Overall dimensions	L ₂	Length	mm	2610	2700	
	16		B	Width	mm	1200		
	17		h ₁	Height, mast lowered	mm	2100 ¹⁾		
	18		h ₄	Height, mast extended	mm	3545 ¹⁾		
	19		h ₆	Height of overhead guard	mm	2160		
	20		h ₇	Height of seat	mm	1120		
	21		Turning radius	Wa	Outer radius	mm	2365	2400
	22	Load distance	X	Front axle center to fork face	mm	515		
23	Aisle width	Ast ₄	For pallets 800x1200 For pallets 1000x1200	mm	3750 3950	3890 4090		
Performance	24	Speed		Travel with load/without load	km/h	15 / 16	17 / 18	
	25			Lifting with load/without load	m/s	0,5 / 0,6		
	26			Lowering with load/without load	m/s	0,4 / 0,3		
	27	Rated drawbar pull		With load	kN	14	16	
28	Climbing ability		With load/without load	%	20 / 22	22 / 24		
Weight	29	Weight		Including battery acc. to ISO 5053–87	kg	3970	4430	4680
	30	Axle load		With load front/rear	kg	5830/640	6770/660	7500/680
	31			Without load front/rear	kg	1780/2190	1910/2520	1960/2720
Chassis	32	Tyres		Number, front/rear		2 / 2		
	33			Size, front		7,00-12	8,15-15	
	34			Size, rear		6,00-9	6,50-10	
	35	Wheelbase	Y		mm	1650	1740	
	36	Track width		Front/rear	mm	980 / 960		
	37	Ground clearance	m ₁	Lowest point with load	mm	120		
	38		m ₂	Center of wheelbase with load	mm	170		
	39	Service brake		Mech./hydr./pneum./combined		Hydraulic disk brake		
40	Parking brake		Hand/foot		Hand			
Drive	41	Battery		Type		Starter		
	42			Voltage/rated capacity	V/Ah	12 / 88		
	43			Weight	kg	22		
	44	Internal combustion engine		Manufacturer, type (diesel/LPG)		TOYOTA 4Y (gas CNG / gazoline)		
	45			Engine performance to DIN 70020	kW	40		
	46			Rated speed to DIN70020	min ⁻¹	2600		
	47			Number of cylinders/displacement	cm ³	4 / 2300		
	48		Fuel consumption	l/h	2,6 kg/h (gas (CNG) - 3 l/h (gazoline)			
	49	Transmission		Type, speeds (forward/backward)		Hydrodynamic 10DA, 1/1		
	50	Clutch coupling		Type		Hydro transformer		
51	Working pressure		For attachments	MPa	14			
52	Noise level		Average value at operator's ear	dB(A)	80			

1) For other lift heights refer to MAST table.

Size h₄ does not include a load backrest. When a backrest is fitted add + 680 mm.

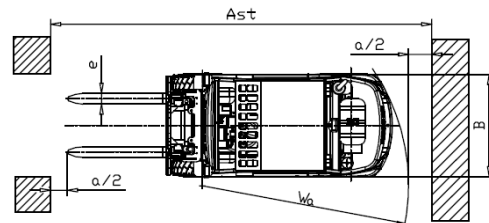
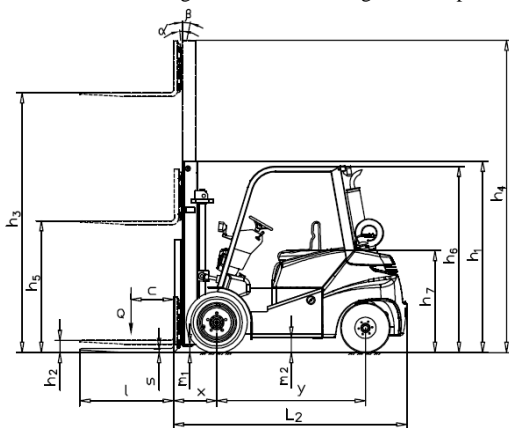
2) Recommended fork length.

* Forklifts in accordance with BDS EN 1726-1.

* Other variants of specifications and characteristics are possible.

* Dimensions and parameters as shown are for reference only. They have been obtained under laboratory testing conditions. They could vary in accordance with the operation mode and the corresponding variants.

* Balkancar Rekord JSC reserves the right to introduce changes to the specifications and products without notice.



MAST				
TYPE	LIFT HEIGHT h_3	HEIGHT, MAST LOWERED h_1	HEIGHT, MAST EXTENDED h_4	FREE LIFT h_2/h_5

SIMPLEX – 2,5 t FORKLIFT

(Two masts, Free lift)

30 S	3000	2100	3545	96
40 S	4000	2590	4545	96

DUPLEX – 2,5 t FORKLIFT

(Two masts, Extended free lift)

30 D	3000	2100	3600	1500
------	------	------	------	------

TRIPLEX – 2,5 t FORKLIFT

(Three masts, Extended free lift)

42 T	4200	2100	4820	1480
45 T	4500	2240	5240	1600
48 T	4800	2310	5450	1660
52 T	5200	2440	5840	1800
56 T	5600	2590	6290	1940
64 T	6400	2840	7040	2200

SIMPLEX – 3,0 - 3,5 t FORKLIFT

(Two masts, Free lift)

30 S	3000	2100	3545	96
40 S	4000	2590	4545	96

DUPLEX – 3,0 - 3,5 t FORKLIFT

(Two masts, Extended free lift)

30 D	3000	2100	3630	1500
------	------	------	------	------

TRIPLEX – 3,0 - 3,5 t FORKLIFT

(Three masts, Extended free lift)

42 T	4200	2100	4915	1400
45 T	4500	2240	5240	1520
48 T	4800	2340	5540	1600
52 T	5200	2490	5970	1740
56 T	5600	2590	6315	1900
64 T	6400	2840	7100	2140