

# RECORD 2E

# SPECIFICATION VDI 2198

BALKANCAR RECORD JSC

Characteristics				DV 1794.30.2MC E		DV 1798.30.2MC E	
1	Manufacturer						
2	Type						
3	Load capacity	Q		kg	4000	5000	
4	Load center	C	Load center to fork face	mm	4000	500	
5	Drive unit	Battery/diesel/LPG		Diesel			
6	Type of operation	Pedestrian/rider seated/stand-on		Rider seated			
7	Tyres	L – pneumatic; SE – superelastic		L/L (SE/SE)			
8	Wheels (x–driven)	Number, front/rear		2x / 2			
9	Lift	h <sub>3</sub>	Lift height	mm	3000 <sup>1)</sup>		
10		h <sub>2</sub>	Free lift	mm	60 <sup>1)</sup>		
11		h <sub>5</sub>	Extended free lift	mm	- <sup>1)</sup>		
12	Fork carriage	According to DIN 15137		3A		4A	
13	Fork dimensions	l	According to DIN 15137/length	3A / 1150 <sup>2)</sup>		4A / 1150 <sup>2)</sup>	
14	Tilt angle	α/β	Forward/backward	(°)	5°±1°/10°±1°		
15	Overall dimensions	L <sub>2</sub>	Length	mm	3070	3200	
16		B	Width	mm	1300		
17		h <sub>1</sub>	Height, mast lowered	mm	2318 <sup>1)</sup>		
18		h <sub>4</sub>	Height, mast extended	mm	3814 <sup>1)</sup>		
19		h <sub>6</sub>	Height of overhead guard	mm	2260		
20		h <sub>7</sub>	Height of seat	mm	1150		
21		Turning radius	Wa	Outer radius	mm	2800	2950
22	Load distance	X	Front axle center to fork face	mm	555		
23	Aisle width	Ast <sub>4</sub>	For pallets 800x1200	mm	4700	4750	
			For pallets 1000x1200	mm	4700	4750	
24	Speed		Travel with load/without load	km/h	I-10; II-20 / 10		
25			Lifting with load/without load	m/s	0,3 / 0,4		
26			Lowering with load/without load	m/s	0,5 / 0,35		
27	Rated drawbar pull		With load	kN	I-28; II-19		
28	Climbing ability		With load/without load	%	28 / 30		
29	Weight		Including battery acc. to ISO 5053–87	kg	5100		
30	Axle load		With load front/rear	kg	8200/900		
31			Without load front/rear	kg	2100/2900		
32	Tyres		Number, front/rear		2 / 2		
33			Size, front		250-15		
34			Size, rear		6,50-10		
35	Wheelbase	Y		mm	2060		
36	Track width		Front/rear	mm	1050 / 965		
37	Ground clearance	m <sub>1</sub>	Lowest point with load	mm	140		
38		m <sub>2</sub>	Center of wheelbase with load	mm	218		
39	Service brake		Mech./hydr./pneum./combined		Hydraulic disk brake		
40	Parking brake		Hand/foot		Hand		
41	Battery		Type		Starter		
42			Voltage/rated capacity	V/Ah	12 / 88		
43			Weight	kg	22		
44	Internal combustion engine		Manufacturer, type (diesel/LPG)		DEUTZ D2011 L04 W, diesel		
45			Engine performance to DIN 70020	kW	47,5		
46			Rated speed to DIN70020	min <sup>-1</sup>	2600		
47			Number of cylinders/displacement	cm <sup>3</sup>	4 / 3620		
48			Fuel consumption	l/h	3,5 (diesel)		
49	Transmission		Type, speeds (forward/backward)		Hydrodynamic 10KC, 2/2		
50	Clutch coupling		Type		Hydro transformer		
51	Working pressure		For attachments	MPa	14		
52	Noise level		Average value at operator's ear	dB(A)	80		

1) For other lift heights refer to MAST table.  
Size h<sub>4</sub> does not include a load backrest. When a backrest is fitted add + 680 mm.

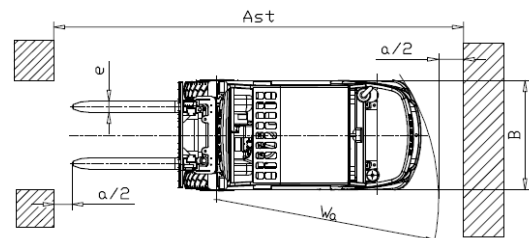
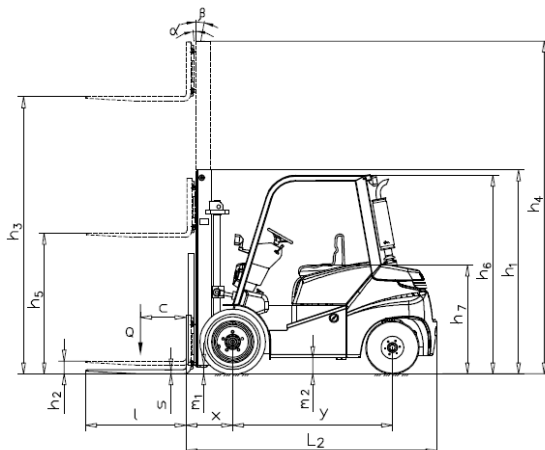
2) Recommended fork length.

\* Forklifts in accordance with BDS EN 1726-1

\* Other variants of specifications and characteristics are possible.

\* Dimensions and parameters as shown are for reference only. They have been obtained under laboratory testing conditions. They could vary in accordance with the operation mode and the corresponding variants.

\* Balkancar Rekord JSC reserves the right to introduce changes to the specifications and products without notice.



<b>MAST</b>				
<b>TYPE</b>	<b>LIFT HEIGHT</b> h <sub>3</sub>	<b>HEIGHT, MAST LOWERED</b> h <sub>1</sub>	<b>HEIGHT, MAST EXTENDED</b> h <sub>4</sub>	<b>FREE LIFT</b> h <sub>2</sub> /h <sub>5</sub>

**SIMPLEX – 4,0 - 5,0 t FORKLIFT**

(Two masts, Free lift)

30 S	3000	2318	3814	60
40 S	4000	2818	4814	60

**DUPLEX – 4,0 - 5,0 t FORKLIFT**

(Two masts, Extended free lift)

30 D	3000	2290	3790	1500
------	------	------	------	------

**TRIPLEX – 4,0 - 5,0 t FORKLIFT**

(Three masts, Extended free lift)

42 T	4200	2140	4950	1400
45 T	4500	2240	5250	1500
48 T	4800	2340	5550	1600
52 T	5200	2490	5970	1740
56 T	5600	2640	6350	1850
64 T	6400	2890	7150	2130