

RECORD 4S

SPECIFICATION VDI 2198

RECORD 4S		SPECIFICATION VDI 2198					
		BALKANCAR RECORD JSC					
Characteristics	1	Manufacturer					
	2	Type					
	3	Load capacity	Q	kg	DV 1998.33.257 S 10000		
	4	Load center	C	mm	DV 1999.33.257 S 12500		
	5	Drive unit	Battery/diesel/LPG				
	6	Type of operation	Pedestrian/rider seated/stand-on				
	7	Tyres	L – pneumatic; SE – superelastic				
	8	Wheels (x–driven)	Number, front/rear 4x / 2				
Dimensions	9	Lift	h ₃	Lift height	mm	3300, 4000, 4500	
	10		h ₂	Free lift	mm	-	
	11		h ₅	Extended free lift	mm	-	
	12	Fork carriage	According to DIN 15137			4A	
	13	Fork dimensions	According to DIN 15137 / length			4A / 1200 ^{b)}	
	14	Tilt angle	α/β	Forward/backward	(°)	5°±1° / 10°±1°	
	15	Overall dimensions	L ₂	Length	mm	4100	
	16		B	Width	mm	2450	
	17		h ₁	Height, mast lowered	mm	3100, 3450, 3700	
	18		h ₄	Height, mast extended	mm	4700, 5050, 5300	
	19		h ₆	Height of overhead guard	mm	2420	
	20		h ₇	Height of seat	mm	1400	
	21		Turning radius	Wa	Outer radius	mm	4250
	22	Load distance	X	Front axle center to fork face	mm	650	
23	Aisle width	Ast ₄	For pallets 800x1200	mm	5600		
			For pallets 1000x1200	mm	5800		
Performance	24	Speed	Travel	with load/without load	km/h	8; 14; 24 / 9; 15; 25	
	25		Lifting	with load/without load	m/s	0,4 / 0,45	
	26		Lowering	with load/without load	m/s	0,4 / 0,4	
	27	Rated drawbar pull	With load			kN	75
28	Climbing ability	With load/without load			%	35	
Weight	29	Weight	Including battery acc. to ISO 5053 – 87			kg	12500
	30	Axle load	With load	front/rear	kg	20000 / 2500	
	31		Without load	front/rear	kg	6500 / 6000	
Chassis	32	Tyres	Number, front/rear			4 / 2	
	33		Size, front			9-20	
	34		Size, rear			300-15	
	35	Wheelbase	Y	mm	2750		
	36	Track width	Front/rear			1900 / 1800	
	37	Ground clearance	m ₁	Lowest point with load	mm	250	
	38		m ₂	Center of wheelbase with load	mm	350	
	39	Service brake	Mech./hydr./pneum./combined			Hydraulic	
40	Parking brake	Hand/foot			Hand		
Drive	41	Battery	Type			Starter	
	42		Voltage/rated capacity			V/Ah	12 / 140
	43		Weight			kg	37
	44	Internal combustion engine	Manufacturer, type			DEUTZ BF 04 M 2012	
	45		Engine performance to DIN 70020			kW	70
	46		Rated speed to DIN 70020			min ⁻¹	2200
	47		Number of cylinders/displacement			cm ³	4 / 4038
	48		Fuel consumption			l/h	6 (diesel)
	49		Transmission	Type, speeds (forward/backward)			Hydrodynamic "Clark" T12000, 3 / 3
	50	Clutch coupling	Type			Hydro transformer	
51	Working pressure	For attachments			MPa	18	
52	Noise level	Average value at operator's ear			dB(A)	85	

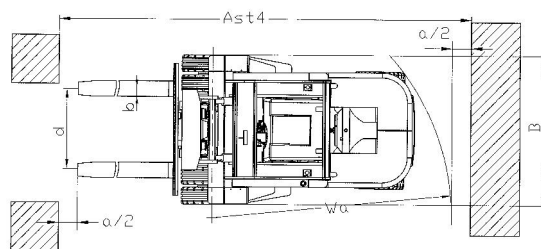
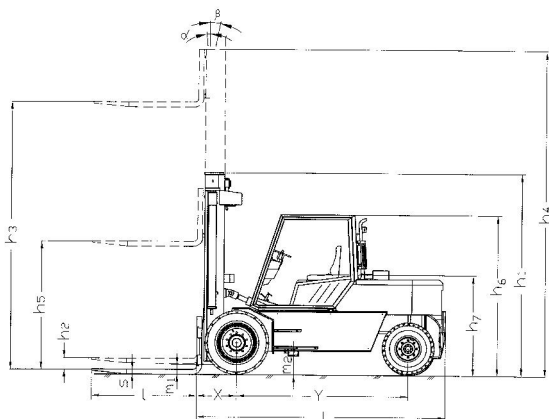
1) Recommended fork length.

* Forklifts in accordance with BDS EN 1726-1.

* Size h₄ does not include a load backrest. When a backrest is fitted add + 680 mm.

* Other variants of specifications and characteristics are possible.

* Balkancar Rekord JSC reserves the right to introduce changes to the specifications and products without notice.



balkancar
RECORD

4004 Пловдив, БОЛГАРИЯ
Кукленско шосе 17
факс: +359 32 692 753
тел.: +359 32 695 050
www.balkancar-record.com