

RECORD 2E		SPECIFICATION VDI 2198			
		BALKANCAR RECORD JSC			
1	Manufacturer				
2	Type		DV 1786.30.2MC E	DV 1788.30.2MC E	DV 1792.30.2MC E
3	Load capacity	Q	kg	2500	3000 3500
4	Load center	C	Load center to fork face	mm	500
5	Drive unit	Battery/diesel/LPG			
6	Type of operation	Pedestrian/rider seated/stand-on			
7	Overall dimensions	h ₃	Lift height	mm	3000 ¹⁾
8		L ₂	Length	mm	2610 2740
9		B	Width	mm	1200
10		h ₆	Height of overhead guard	mm	2160
11	Internal combustion engine	Manufacturer, type (diesel/LPG)			
12	Transmission	Type			
					DEUTZ D2011L04W, diesel Hydrodynamic

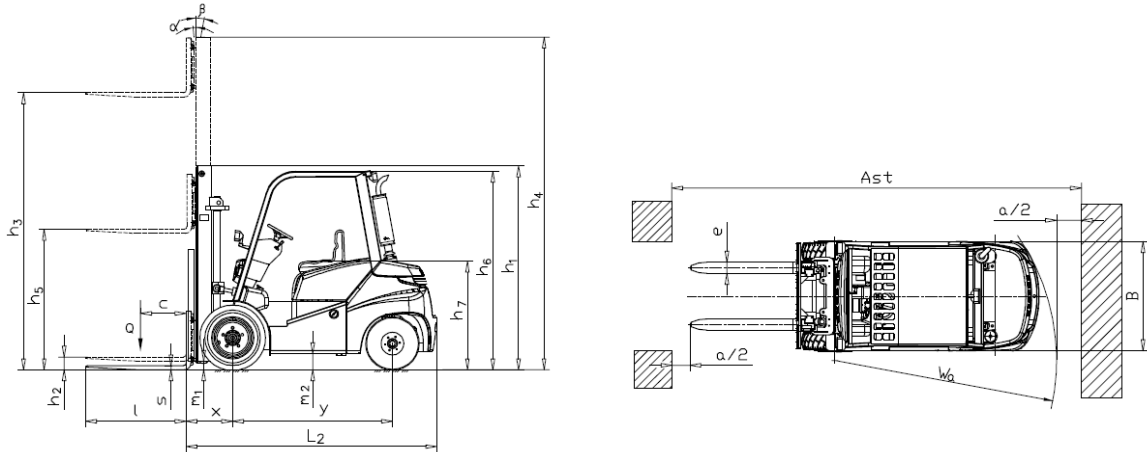
1) For other lift heights refer to MAST table. Size h₄ does not include a load backrest. When a backrest is fitted add + 680 mm.

* Forklifts in accordance with BDS ISO 3691-1.

* Other variants of specifications and characteristics are possible.

* Dimensions and parameters as shown are for reference only. They have been obtained under laboratory testing conditions. They could vary in accordance with the operation mode and the corresponding variants.

* "Balkancar Record" JSC reserves the right to introduce changes to the specifications and products without notice.



MAST				
TYPE	LIFT HEIGHT	HEIGHT, MAST LOWERED	HEIGHT, MAST EXTENDED	FREE LIFT
	h ₃	h ₁	h ₄	h ₂ /h ₅

SIMPLEX – 2,5 t FORKLIFT

(Two masts, Free lift)

30 S	3000	2100	3545	96
40 S	4000	2590	4545	96

DUPLEX – 2,5 t FORKLIFT

(Two masts, Extended free lift)

30 D	3000	2100	3600	1500
------	------	------	------	------

TRIPLEX – 2,5 t FORKLIFT

(Three masts, Extended free lift)

42 T	4200	2100	4820	1480
45 T	4500	2240	5240	1600
48 T	4800	2310	5450	1660
52 T	5200	2440	5840	1800
56 T	5600	2590	6290	1940
64 T	6400	2840	7040	2200

SIMPLEX – 3,0 - 3,5 t FORKLIFT

(Two masts, Free lift)

30 S	3000	2100	3545	96
40 S	4000	2590	4545	96

DUPLEX – 3,0 - 3,5 t FORKLIFT

(Two masts, Extended free lift)

30 D	3000	2100	3630	1500
------	------	------	------	------

TRIPLEX – 3,0 - 3,5 t FORKLIFT

(Three masts, Extended free lift)

42 T	4200	2100	4915	1400
45 T	4500	2240	5240	1520
48 T	4800	2340	5540	1600
52 T	5200	2490	5970	1740
56 T	5600	2590	6315	1900
64 T	6400	2840	7100	2140