

RECORD 2E		SPECIFICATION					
1	Manufacturer	BALKANCAR RECORD JSC					
2	Type			GV 3786.30.5MC E CNG	GV 3788.30.5MC E CNG	GV 3792.30.5MC E CNG	
3	Load capacity	Q		kg	2500	3000	3500
4	Load center	C	Load center to fork face	mm	500		
5	Drive unit		Battery/diesel/LPG		gas (CNG) / gasoline		
6	Type of operation		Pedestrian/rider seated/stand-on		Rider seated		
7	Lift	$h_3$	Lift height	mm	3000 <sup>1)</sup>		
8	Overall dimensions	$L_2$	Length	mm	2610	2700	
9		B	Width	mm	1200		
10		$h_6$	Height of overhead guard	mm	2160		
11	Internal combustion engine		Manufacturer, type (diesel/LPG)		TOYOTA (gas CNG / gasoline)		
12	Transmission		Type, speeds (forward/backward)		Hydrodynamic		

1) For other lift heights refer to MAST table.

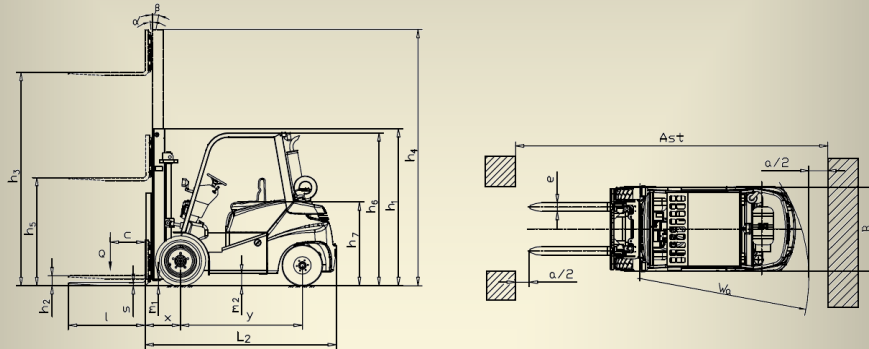
Size  $h_4$  does not include a load backrest. When a backrest is fitted add + 680 mm.

\* Forklifts in accordance with BDS EN 1726-1.

\* Other variants of specifications and characteristics are possible.

\* Dimensions and parameters as shown are for reference only. They have been obtained under laboratory testing conditions. They could vary in accordance with the operation mode and the corresponding variants.

\* Balkancar Rekord JSC reserves the right to introduce changes to the specifications and products without notice.



MAST				
TYPE	LIFT HEIGHT $h_3$	HEIGHT, MAST LOWERED $h_1$	HEIGHT, MAST EXTENDED $h_4$	FREE LIFT $h_2/h_5$

#### SIMPLEX – 2,5 t FORKLIFT

(Two masts, Free lift)

30 S	3000	2100	3545	96
40 S	4000	2590	4545	96

#### DUPLEX – 2,5 t FORKLIFT

(Two masts, Extended free lift)

30 D	3000	2100	3600	1500
------	------	------	------	------

#### TRIPLEX – 2,5 t FORKLIFT

(Three masts, Extended free lift)

42 T	4200	2100	4820	1480
45 T	4500	2240	5240	1600
48 T	4800	2310	5450	1660
52 T	5200	2440	5840	1800
56 T	5600	2590	6290	1940
64 T	6400	2840	7040	2200

#### SIMPLEX – 3,0 - 3,5 t FORKLIFT

(Two masts, Free lift)

30 S	3000	2100	3545	96
40 S	4000	2590	4545	96

#### DUPLEX – 3,0 - 3,5 t FORKLIFT

(Two masts, Extended free lift)

30 D	3000	2100	3630	1500
------	------	------	------	------

#### TRIPLEX – 3,0 - 3,5 t FORKLIFT

(Three masts, Extended free lift)

42 T	4200	2100	4915	1400
45 T	4500	2240	5240	1520
48 T	4800	2340	5540	1600
52 T	5200	2490	5970	1740
56 T	5600	2590	6315	1900
64 T	6400	2840	7100	2140