

RECORD 2E		SPECIFICATION VDI 2198				
1 Manufacturer		BALKANCAR RECORD JSC				
2 Type				DV 1786.30.5MC E	DV 1788.30.5MC E	DV 1792.30.5MC E
3 Load capacity	Q		kg	2500	3000	3500
4 Load center	C	Load center to fork face	mm	500		
5 Drive unit		Battery/diesel/LPG		Diesel		
6 Type of operation		Pedestrian/rider seated/stand-on		Rider seated		
7	Overall dimensions	h_3	Lift height	mm	3000 ¹⁾	
8		L_2	Length	mm	2610	2740
9		B	Width	mm	1200	
10		h_6	Height of overhead guard	mm	2160	
11 Internal combustion engine		Manufacturer, type (diesel/LPG)		TOYOTA 3Z, diesel		
12 Transmission		Type, speeds (forward/backward)		Hydrodynamic, 1/1		

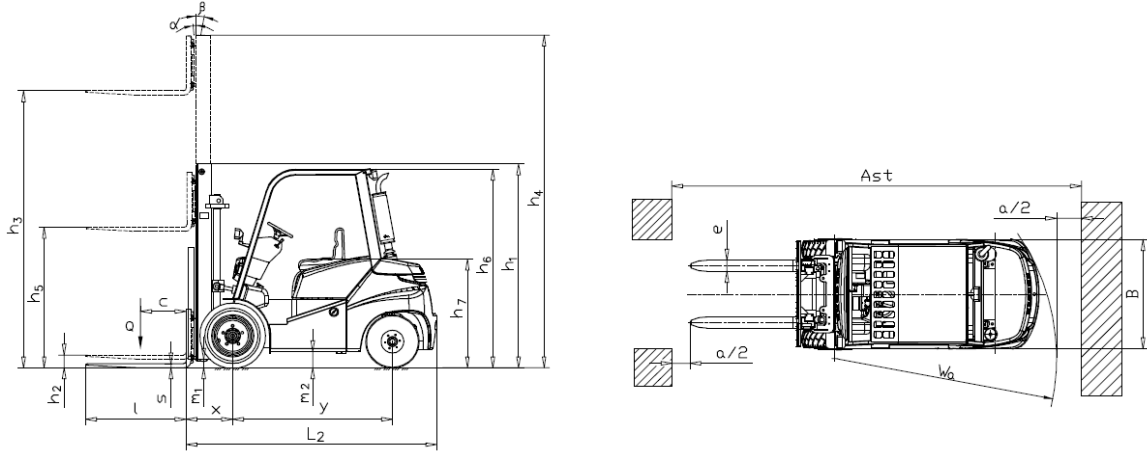
1) For other lift heights refer to MAST table.

Size h_4 does not include a load backrest. When a backrest is fitted add + 680 mm.

* Forklifts in accordance with BDS ISO 3691-1.

* Other variants of specifications and characteristics are possible.

* Dimensions and parameters as shown are for reference only. They have been obtained under laboratory testing conditions. They could vary in accordance with the operation mode and the corresponding variants. "Balkancar Record" JSC reserves the right to introduce changes to the specifications and products without notice.



MAST				
TYPE	LIFT HEIGHT	HEIGHT, MAST LOWERED	HEIGHT, MAST EXTENDED	FREE LIFT
	h_3	h_1	h_4	h_2/h_5

SIMPLEX – 2,5 t FORKLIFT

(Two masts, Free lift)

30 S	3000	2100	3545	96
40 S	4000	2590	4545	96

DUPLEX – 2,5 t FORKLIFT

(Two masts, Extended free lift)

30 D	3000	2100	3600	1500
------	------	------	------	------

TRIPLEX – 2,5 t FORKLIFT

(Three masts, Extended free lift)

42 T	4200	2100	4820	1480
45 T	4500	2240	5240	1600
48 T	4800	2310	5450	1660
52 T	5200	2440	5840	1800
56 T	5600	2590	6290	1940
64 T	6400	2840	7040	2200

SIMPLEX – 3,0 - 3,5 t FORKLIFT

(Two masts, Free lift)

30 S	3000	2100	3545	96
40 S	4000	2590	4545	96

DUPLEX – 3,0 - 3,5 t FORKLIFT

(Two masts, Extended free lift)

30 D	3000	2100	3630	1500
------	------	------	------	------

TRIPLEX – 3,0 - 3,5 t FORKLIFT

(Three masts, Extended free lift)

42 T	4200	2100	4915	1400
45 T	4500	2240	5240	1520
48 T	4800	2340	5540	1600
52 T	5200	2490	5970	1740
56 T	5600	2590	6315	1900
64 T	6400	2840	7100	2140