

RECORD 2E		SPECIFICATION VDI 2198				
		BALKANCAR RECORD JSC				
1	Manufacturer					
2	Type			DV 1794.30.2MC E S	DV 1798.30.2MC E S	
3	Load capacity	Q		kg	4000	5000
4	Load center	C	Load center to fork face	mm	500	
5	Drive unit	Battery/diesel/LPG			Diesel	
6	Type of operation	Pedestrian/rider seated/stand-on			Rider seated	
7	Overall dimensions	h_3	Lift height	mm	3000 ¹⁾	
8		L_2	Length	mm	3050	3200
9		B	Width	mm	1480	
10		h_6	Height of overhead guard	mm	2220	
11	Internal combustion engine	Manufacturer, type (diesel/LPG)			DEUTZ D2011 L04 W, diesel	
12	Transmission	Type			Hydrodynamic	

1) For other lift heights refer to MAST table. Size h_4 does not include a load backrest. When a backrest is fitted add + 680 mm.

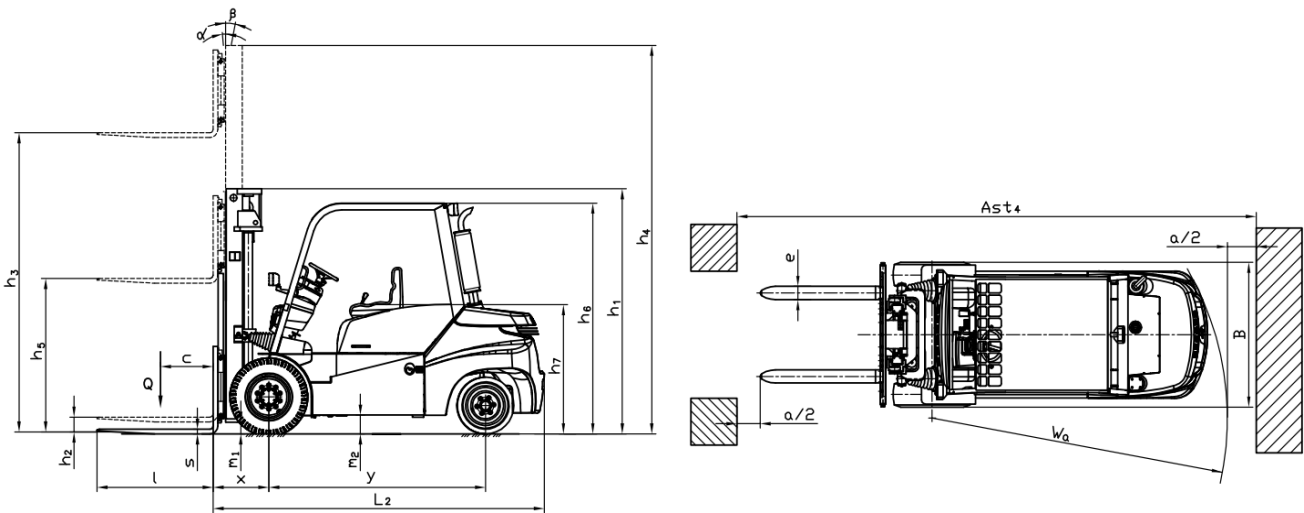
* Forklifts in accordance with BDS ISO 3691-1.

* Other variants of specifications and characteristics are possible.

* Dimensions and parameters as shown are for reference only. They have been obtained under laboratory testing conditions.

They could vary in accordance with the operation mode and the corresponding variants.

* "Balkancar Record" JSC reserves the right to introduce changes to the specifications and products without notice.



MAST				
TYPE	LIFT HEIGHT	HEIGHT, MAST LOWERED	HEIGHT, MAST EXTENDED	FREE LIFT
	h_3	h_1	h_4	h_2/h_5

SIMPLEX – 4,0 - 5,0 t FORKLIFT

(Two masts, Free lift)

30 S	3000	2318	3814	60
40 S	4000	2818	4814	60

DUPLEX – 4,0 - 5,0 t FORKLIFT

(Two masts, Extended free lift)

30 D	3000	2290	3790	1500
------	------	------	------	------

TRIPLEX – 4,0 - 5,0 t FORKLIFT

(Three masts, Extended free lift)

42 T	4200	2140	4950	1400
45 T	4500	2240	5250	1500
48 T	4800	2340	5550	1600
52 T	5200	2490	5970	1740
56 T	5600	2640	6350	1850
64 T	6400	2890	7150	2130